



Mill Duty Encoders - 800 Series

Quality Into Every Detail

Enclosure

Robust cover with ingress protection class IP67 for protection against dust and liquids. Verified for use in salt water environments. Model available with ATEX/IECEX certification for hazardous environments.

Shaft and Flange

Robust shaft sealing verified for IP66. O-ring for tight sealing of the hollow shaft to its mating shaft. Hollow shafts for fixing with an axial screw. Shaft dimensions: Ø12 mm, Ø16 mm, Ø17 mm taper. Solid shaft Ø11 mm with key nut, and B10 Euro flange, for fixing with a shaft coupling. Through-hollow shaft with dimensions Ø25 mm or Ø1 inch.

Bearings

Insulated peek insert to protect the bearings from shaft currents. Model available with ceramic bearings for increased insulation and prolonged lifetime. Heavy duty bearings allow the encoder to be placed in the most demanding environments, where it can be subjected to shock and vibrations daily without losing quality or accuracy.

Shock, vibrations, and temperature resistance
High accuracy code discs and robust electronics verified for powerful shocks, vibrations, and extreme temperatures.

Stable and Easy Mounting

Torque bracket available in a variety of orientations, for fixing of the torque arm. Separate back cover for connection of cable wires to screw terminals. Ample space for easy handling when connecting the cables. M23 connector or pre-mounted cable with or without flying connector available.

Protected Against Electronic Interference

Short-circuit protection and polarity protection as standard. Overvoltage protection for protection against voltage peaks on the supply, for example due to lightning strokes. Earthing strap to conduct currents away from the encoder cover.

Resolution

Wide range of different pulse rates available from 1 to 10 000 ppr.

Output Signals

Square wave signal output with 6 channels for differential transmission and reference pulse for relative position. Available with a big number of output signals according to market standards, like HTL, TTL, RS422, or 1 Vpp, as well as High Current HTL for transmission over long cables. Dual output models are available, with double scanning sensors

and two galvanically insulated electronic circuits. The dual output signals can be used in two separate systems for different functions, or for achieving redundant signals.

Programmable Speed Switch

The 800 series can be bought with Overspeed, which is the Leine & Linde speed switch solution with four programmable relays for the settings of your choice.

Built-in Condition Monitoring

Models can be equipped with the advanced diagnostic system ADS Classic or ADS Online, which can monitor the basic encoder functions and ambient parameters. Avoid all unforeseen breakdowns!

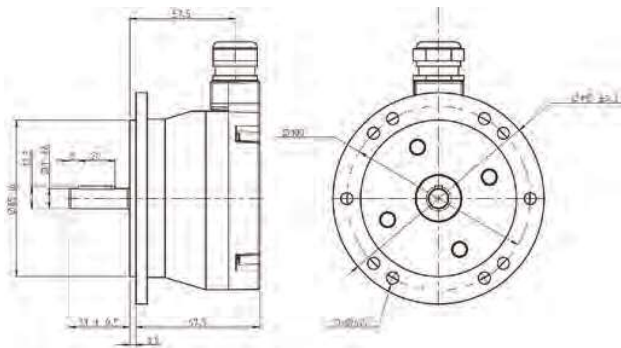
Relevant Certifications

Models available certified for use in hazardous areas, ATEX/IECEX zone 1/21, or 2/22. Functional safety certified encoders available up to risk level SIL2 and PLd, category 3.

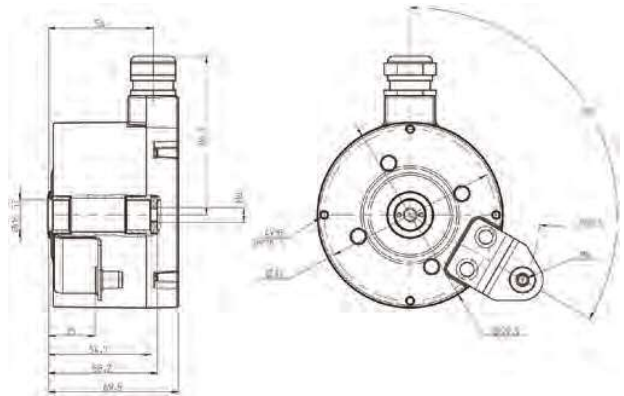


Mechanics - Mill Duty Encoders

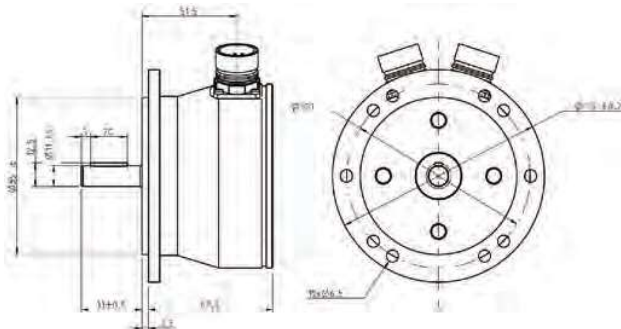
850
Solid Shaft Encoder with B10 Euro Flange.



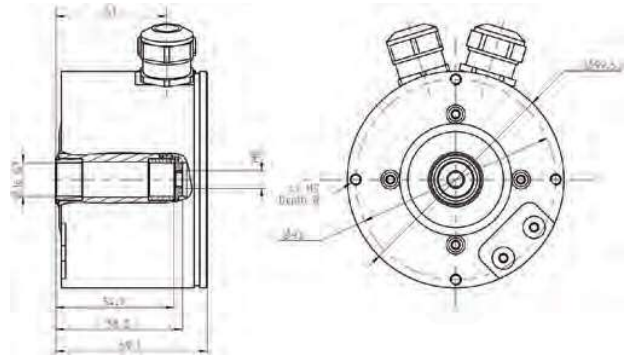
861
Hollow Shaft Encoder.



855
Dual solid shaft encoder with B10 Euro flange. Redundant scanning sensors and two separate electronic circuits with galvanically insulated outputs.



865
Dual hollow shaft encoder. Redundant scanning sensors and two separate electronic circuits with galvanically insulated outputs. Ceramic bearings available as special option.





Mill Duty Encoders - 800 Series



Hollow Shaft Heavy Duty Encoders

Part No.	Pulse Rate	Supply Voltage	ADS	Shaft Size
751282-09-861	1024	9-30 Vdc	None	12 mm
750729-03-861	1024	9-30 Vdc	None	16 mm
751282-02-861	2048	9-30 Vdc	None	12 mm
750729-12-861	2048	9-30 Vdc	None	16 mm
750901-01-861	2048	9-30 Vdc	Yes	16 mm
750901-03-861	1024	9-30 Vdc	Yes	16 mm

■ Other Resolutions Available on Request

Available with



Shaft Heavy Duty Encoders

Part No.	Pulse Rate	Supply Voltage	ADS	Shaft Size
750728-02	1024	9-30 Vdc	No	11 mm with B10 Tacho Flange
750728-11	2048	9-30 Vdc	No	11 mm with B10 Tacho Flange
1066902-02	1024	9-30 Vdc	Yes	11 mm with B10 Tacho Flange
1066902-03	2048	9-30 Vdc	Yes	11 mm with B10 Tacho Flange

■ Other Resolutions Available on Request

Available with

