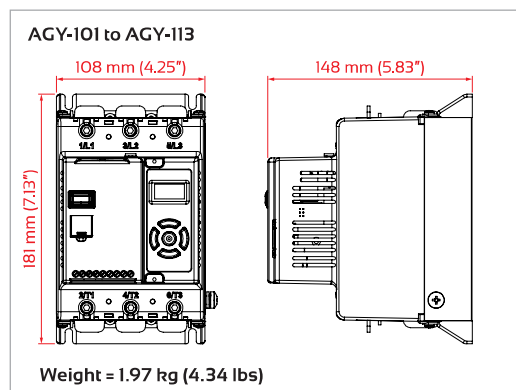


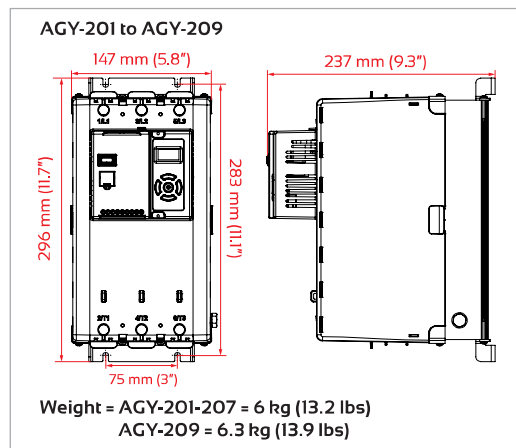
Optimised Application Setup

- Easy set-up within 1 minute
 - Pre-set Applications
 - Up to 40 starts per hour
 - Integrated Bypass
 - Life Event Logging
- Full Motor Protection
 - Overload Protection
 - Phase Balance
 - Phase Swop Protection
 - Full I²t Short Circuit Protection

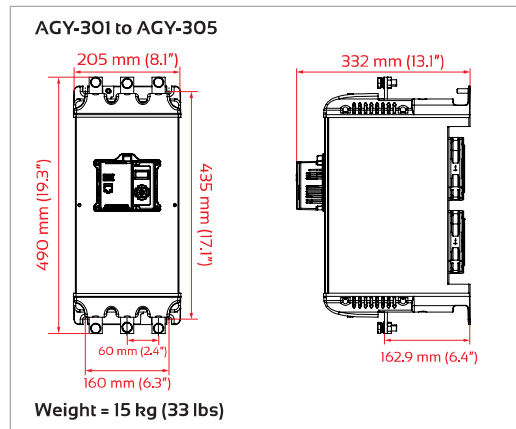
Dimensions - Size 1



Dimensions - Size 2



Dimensions - Size 3



Specifications

Operational Voltage	200–600 VAC
Rated Frequency	50–60 Hz ± 5 Hz
Index Rating	Trip Class 10: 3.5-17: 90-5 (Trip Class 20 & 30)
Starts per Hour	Standard 5 starts/stops per hour With Optional Fan AGY-101 to 203: 40 starts/stops per hour AGY-205: 30 starts/stops per hour AGY-207: 20 starts/stops per hour AGY-209: 10 starts/stops per hour
Internally Bypassed	Yes
Screen	OLED
Control Supply	Standard 24 VDC Power Supply Included
Inputs	2 Digital Inputs, 1 Programmable Standard 24 VDC Power Supply Included
Outputs	2 Digital Outputs, 1 Programmable
Overload	Full I²t Motor Overload
Communications	Modbus RTU
Full Logging functionality for use with StarterView	Yes
IP/NEMA rating	Size 1 IP20/NEMA Class 1 with finger guard fitted (PLS-AGY-008) Size 2 IP20/NEMA Class 1 with finger guard fitted (PLS-SGY-009) Size 3 IP00 as standard IP20/NEMA Class 1 with optional terminal cover kit (PLS-SGY-061)
Ambient Temperature	-20 °C to 40 °C without de-rating 60 °C with de-rating
Standards	CE, UL, RCM
Warranty	2 Years



Model Selection

For standard operating conditions of 40 °C and 1000 m above sea level.

Trip Class 10	Trip Class 20	Trip Class 30
Rated Starting Capability	Rated Starting Capability	Rated Starting Capability
3 × Motor Current – 23 secs 3.5 × Motor Current – 17 secs	4 × Motor Current – 19 secs	4 × Motor Current – 29 secs
Typical Applications	Typical Applications	Typical Applications
Agitator Compressor Rotary Vane Unloaded Scroll Conveyor Unloaded Bow Thruster Zero Pitch Fan Low Inertia or <85A Feeder Screw Lathe Machines Mixer Unloaded Moulding Machine Plastic and Textile Machines Pump Submersible - Centrifugal Submersible - Rotodynamic Saw Band Transformers Voltage Regulators	Compressor Centrifugal Reciprocating Rotary Screw Ball Mill Bow Thruster Loaded Conveyor Loaded Grinder Hammer Mill Mills Flour etc. Mixer Loaded Pelletizers Press, Flywheel Positive Displacement Pump Reciprocating Rotary Pump Jack Rolling Mill Roots Blower Saw Circular Screen Vibrating Tumblers	Crusher* Shredder Wood Chipper Fan* High Inertia or > 85 A * start time > 30 secs

Motor Rating

I _e A	kW			FLA A	HP				Trip Class 10	Trip Class 20	Trip Class 30
	230 V	400 V	500 V		200 V	208 V	220-240 V	440-480V			
17	4	7.5	7.5	17	3	5	5	10	15	—	AGY-101
17	4	7.5	7.5	17	3	5	5	10	15	—	AGY-103
17	4	7.5	7.5	17	3	5	5	10	15	AGY-101	AGY-105
22	5.5	11	11	22	5	5	7.5	15	20	AGY-103	AGY-107
29	7.5	15	15	27	7.5	7.5	7.5	20	25	AGY-105	AGY-109
35	7.5	18.5	22	34	10	10	10	25	30	AGY-107	AGY-111
41	11	22	22	41	10	10	10	30	40	AGY-109	AGY-113
55	15	30	37	52	15	15	15	40	50	AGY-111	AGY-201
66	18.5	37	45	65	20	20	20	50	60	AGY-113	AGY-203
80	22	45	55	77	20	25	25	60	75	AGY-201	AGY-205
106	30	55	75	100	30	30	30	75	100	AGY-203	AGY-207
132	37	75	90	125	40	40	40	100	125	AGY-205	AGY-209
160	45	90	110	156	50	50	60	125	150	AGY-207	AGY-301
195	55	110	132	192	60	60	60	150	200	AGY-209	AGY-303
242	75	132	160	242	75	75	75	200	250	AGY-301	AGY-305
302	90	160	200	302	100	100	100	250	300	AGY-303	—
361	110	200	250	361	125	125	150	300	350	AGY-305	—

What we offer

Design

ATI Systems is able to do system design due to our many years of experience in the drive industry. Correct design and matching of products for applications as intricate as electronic gearing, cut-to-length lines, flying saws and accurate strip guiding are standard services.

Technical Backup

ATI Systems has a comprehensive, fast turn-around service as we keep spare parts ex-stock. A team of technicians are available to assist you on a any day, all hour basis. Technicians are fully trained on all the products available from ATI Systems.

Training

Process training is given on-site on all projects undertaken. ATI Systems also offer product training in our well equipped training room in Wadeville.



Head Office
011 383 8300

sales@atisystems.co.za | www.atisystems.co.za
159 Galjoen Road, Wadeville, Germiston

