

MPC

CONSOLE SYSTEM



Flexible console system, allows a versatile number of combinations to configure the system to your design. The top section and desk panels are held open by a self-engage/self-release mechanical panel stay and combines with the top removable rear panel and front door, to ensure convenient access. A range of 19" accessories adds further versatility. The MPC range is fully compatible with the stainless steel MPCS units, providing additional protection if required.

Material: Body and door: 2.0mm mild steel. Rear panel 1.5mm mild steel. Bottom plates: 1.2mm galvanized steel. |Mounting plate: 2.5 mm galvanized steel.

Body: Folded and seam welded. Integrated plinth.

Doors and panels: Single folded surface mounted with hinges allowing left and right-hand opening to base door. Top section and desk panels held open by self engage/self release mechanical panel stays. Concealed hinges allowing 90° opening on the desk. Double doors on 1200 and 1600 mm wide base units.

Mounting plate: Standard in base unit. Fixed by fixing brackets on C rail, top and bottom for depth adjustment. Optional in desk and top section units.

Lock: Double-bit 3mm locks for top section and desk unit. For base, two double-bit 3mm locks. Other options available, see wall mounting section.

Cable access: Bottom opening in base unit for cable access.

Bottom plates for cable glanding supplied as standard.

Earthing: M8 threaded studs on bodies, doors and rear panels.

Finish: MPC: RAL 7035 structure powder coating.

Protection: MPC single door: Corresponds with IP 66 and NEMA 4, 12 and 13.

MPC double door: Corresponds with IP 55 and NEMA 12 and 13.

Delivery: The base unit is provided with a mounting plate as standard. Desk and top section units have mounting plates provided as accessories. All top and base apertures can be closed by choosing the appropriate accessory plate. Suitable nuts and washers for the various earthing studs are provided.



IP 66/NEMA 4, 12, 13; IP 55/ NEMA 12,13

Top section units | Mild steel

H	W	D	Part No.
500	600	494	MPC061R5
500	800	494	MPC081R5
500	1000	494	MPC101R5
500	1200	494	MPC121R5
500	1600	494	MPC161R5

Desk units | Mild steel

H	W	D	Part No.
250	600	985	MPC062R5
250	800	985	MPC082R5
250	1000	985	MPC102R5
250	1200	985	MPC122R5
250	1600	985	MPC162R5

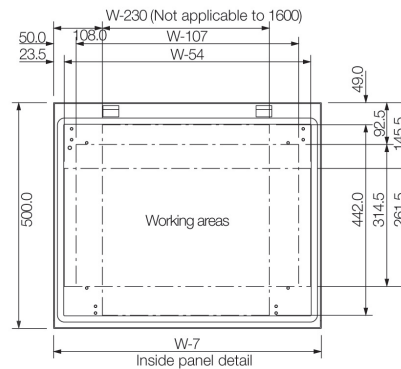
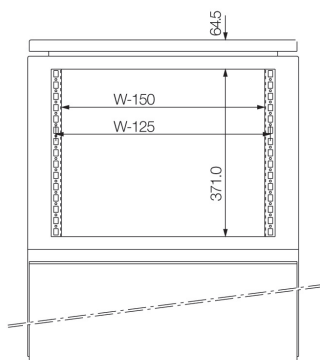
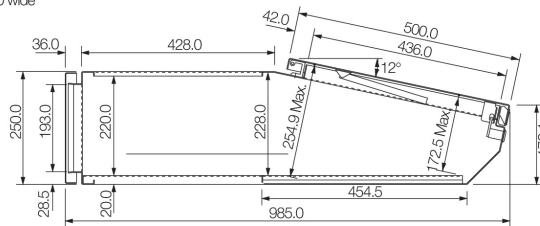
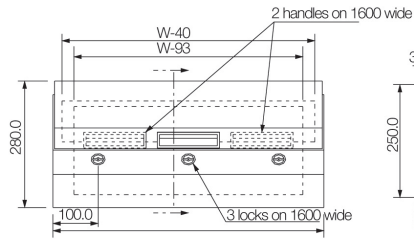
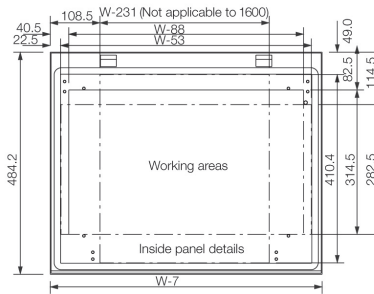
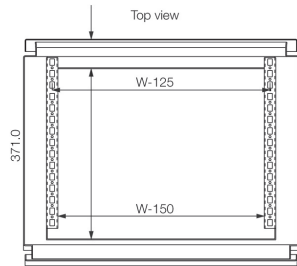
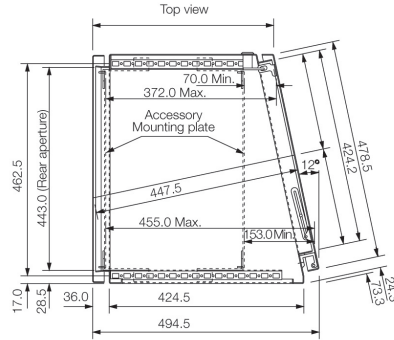
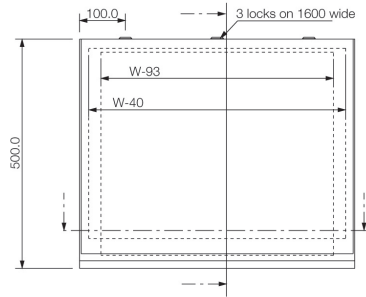
Base units with mounting plate | Mild steel

H	W	D	h	w	Usable depth	Part No.
700	600	500	590	499	470,5	MPC063R5
700	800	500	590	699	470,5	MPC083R5
700	1000	500	590	899	470,5	MPC103R5
700	1200	500	590	1099	470,5	MPC123R5
700	1600	500	590	1499	470,5	MPC163R5

Note: Only 1200 and 1600 wide consoles have double doors.

MPC

CONSOLE SYSTEM



MPCS

CONSOLE SYSTEM, STAINLESS STEEL



Flexible console system, allows a versatile number of combinations to configure the system to your design. The top section and desk panels are held open by a self-engage/self-release mechanical panel stay and combines with the top removable rear panel and front door, to ensure convenient access. The MPCS range provides high corrosion resistance and is the ideal solution for harsh environments.

Material: MPCS: AISI 304 pre-grained stainless steel/ AISI 316L (on request). | Body and door: 2mm. Rear panel 1.5mm. Bottom plates 1.5mm. | Mounting plate: 2.5mm galvanized steel.

Body: Folded and seam welded. Integrated plinth.

Doors and panels: Single folded surface mounted with hinges allowing left and right-hand opening to base door. Top section and desk panels held open by self engage/self release mechanical panel stays. Concealed hinges allowing 90° opening on the desk. Double doors on 1200mm and 1600mm wide base units.

Mounting plate: Standard in base unit. Fixed by fixing brackets on C rail, top and bottom for depth adjustment. Optional in desk and top section units.

Lock: Double-bit 3mm locks for top section and desk unit. For base, two double-bit 3mm locks. Other options available, see wall mounting section.

Cable access: Bottom open in base unit for cable access.

Bottom plates for cable glanding supplied as standard.

Earthing: M8 threaded studs on bodies, doors and rear panels.

Finish: 240s pre grained (average 0.5 micron).

Protection: MPCS single door: Corresponds with IP 66 and NEMA 4X, 12 and 13.

MPCS double door: Corresponds with IP 55 and NEMA 12 and 13.

Delivery: The base unit is provided with a mounting plate as standard. Desk and top section units have mounting plates provided as accessories. All top and base apertures can be closed by choosing the appropriate accessory plate. Suitable nuts and washers for the various earthing studs are provided.



IP 66 / NEMA 4x ,12,13; IP 55 / NEMA 12,13

Top section units | Stainless steel

H	W	D	Part No.
500	600	494	MPCS061
500	600	494	MPCS061-316
500	800	494	MPCS081
500	800	494	MPCS081-316
500	1000	494	MPCS101
500	1000	494	MPCS101-316
500	1200	494	MPCS121
500	1200	494	MPCS121-316
500	1600	494	MPCS161
500	1600	494	MPCS161-316

Desk units | Stainless steel

H	W	D	Part No.
250	600	985	MPCS062
250	600	985	MPCS062-316
250	800	985	MPCS082
250	800	985	MPCS082-316
250	1000	985	MPCS102
250	1000	985	MPCS102-316
250	1200	985	MPCS122
250	1200	985	MPCS122-316
250	1600	985	MPCS162
250	1600	985	MPCS162-316

Base units with mounting plate | Stainless steel

H	W	D	h	w	Usable depth	Part No.
700	600	500	590	499	470,5	MPCS063
700	600	500	590	499	470,5	MPCS063-316
700	800	500	590	699	470,5	MPCS083
700	800	500	590	699	470,5	MPCS083-316
700	1000	500	590	899	470,5	MPCS103
700	1000	500	590	899	470,5	MPCS103-316
700	1200	500	590	1099	470,5	MPCS123
700	1200	500	590	1099	470,5	MPCS123-316
700	1600	500	590	1499	470,5	MPCS163
700	1600	500	590	1499	470,5	MPCS163-316

Note: Only 1200 and 1600 wide consoles have double doors.

- Delivery times upon request

MPCS

CONSOLE SYSTEM, STAINLESS STEEL

