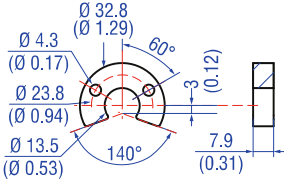
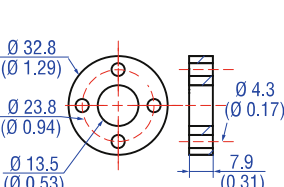
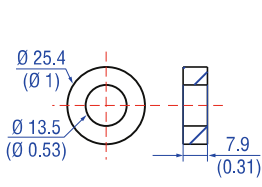
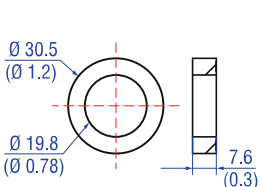
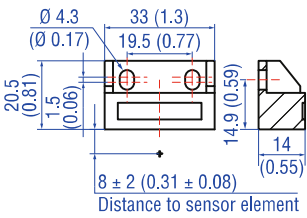
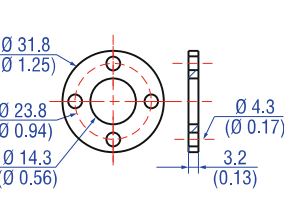
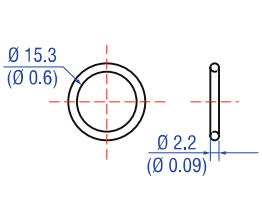
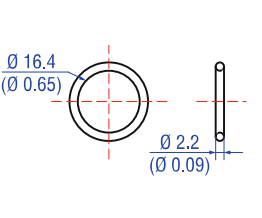
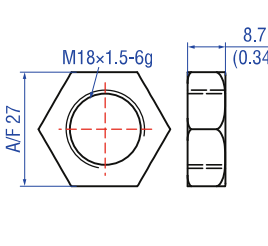
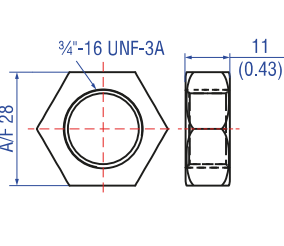
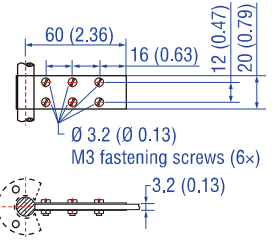


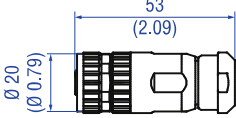



FREQUENTLY ORDERED ACCESSORIES – Additional options available in our [Accessories Catalog](#)  551444

Position magnets			
			
<p>U-magnet OD33 Part no. 251 416-2</p> <p>Material: PA ferrite GF20 Weight: Approx. 11 g Surface pressure: Max. 40 N/mm² Fastening torque for M4 screws: 1 Nm Operating temperature: –40...+105 °C (–40...+221 °F)</p> <p>Marked version for sensors with internal linearization: Part no. 254 226</p>	<p>Ring magnet OD33 Part no. 201 542-2</p> <p>Material: PA ferrite GF20 Weight: Approx. 14 g Surface pressure: Max. 40 N/mm² Fastening torque for M4 screws: 1 Nm Operating temperature: –40...+105 °C (–40...+221 °F)</p> <p>Marked version for sensors with internal linearization: Part no. 253 620</p>	<p>Ring magnet OD25.4 Part no. 400 533</p> <p>Material: PA ferrite Weight: Approx. 10 g Surface pressure: Max. 40 N/mm² Operating temperature: –40...+105 °C (–40...+221 °F)</p> <p>Marked version for sensors with internal linearization: Part no. 253 621</p>	<p>Ring magnet Part no. 402 316</p> <p>Material: PA ferrite coated Weight: Approx. 13 g Surface pressure: Max. 20 N/mm² Operating temperature: –40...+100 °C (–40...+212 °F)</p>





Position magnet	Magnet spacer	O-rings	O-rings
			
<p>Block magnet L Part no. 403 448</p> <p>Material: Plastic carrier with hard ferrite magnet Weight: Approx. 20 g Fastening torque for M4 screws: 1 Nm Operating temperature: –40...+75 °C (–40...+167 °F)</p> <p>This magnet may influence the sensor performance specifications for some applications.</p>	<p>Magnet spacer Part no. 400 633</p> <p>Material: Aluminum Weight: Approx. 5 g Surface pressure: Max. 20 N/mm² Fastening torque for M4 screws: 1 Nm</p>	<p>O-ring for threaded flange M18x1.5-6g Part no. 401 133</p> <p>Material: Fluoroelastomer Durometer: 75 ± 5 Shore A Operating temperature: –40...+204 °C (–40...+400 °F)</p>	<p>O-ring for threaded flange 1/4"-16 UNF-3A Part no. 560 315</p> <p>Material: Fluoroelastomer Durometer: 75 ± 5 Shore A Operating temperature: –40...+204 °C (–40...+400 °F)</p>

Mounting accessories		
		
<p>Hex jam nut M18x1.5-6g Part no. 500 018</p> <p>Material: Steel, zinc plated</p>	<p>Hex jam nut 1/4"-16 UNF-3A Part no. 500 015</p> <p>Material: Steel, zinc plated</p>	<p>Fixing clip Part no. 561 481</p> <p>Application: Used to secure sensor rods (Ø 10 mm (Ø 0.39 in.)) when using an U-magnet or block magnet Material: Brass, non-magnetic</p>

Cable connector* **Cables**

			
<p>M12 A-coded female connector (4 pin/5 pin), straight Part no. 370 677</p>	<p>PVC cable Part no. 530 032</p>	<p>PUR cable Part no. 530 052</p>	<p>FEP cable Part no. 530 112</p>
<p>Material: GD-Zn, Ni Termination: Screw Contact insert: CuZn Cable Ø: 4...8 mm (0.16...0.31 in.) Wire: 1.5 mm² Operating temperature: -30...+85 °C (-22...+185 °F) Ingress protection: IP67 (correctly fitted) Fastening torque: 0.6 Nm</p>	<p>Material: PVC jacket; gray Features: Twisted pair, shielded, flexible Cable Ø: 6 mm (0.23 in.) Cross section: 3 × 2 × 0.14 mm² Bending radius: 10 × D (fixed installation) Operating temperature: -40...+105 °C (-40...+221 °F)</p>	<p>Material: PUR jacket; orange Features: Twisted pair, shielded, highly flexible, halogen free, suitable for drag chains, mostly oil & flame resistant Cable Ø: 6.4 mm (0.25 in.) Cross section: 3 × 2 × 0.25 mm² Bending radius: 5 × D (fixed installation) Operating temperature: -30...+80 °C (-22...+176 °F)</p>	<p>Material: FEP jacket; black Features: Twisted pair, shielded, flexible, high thermal resistance, mostly oil & acid resistant Cable Ø: 7.6 mm (0.3 in.) Cross section: 4 × 2 × 0.25 mm² Bending radius: 8 – 10 × D (fixed installation) Operating temperature: -100...+180 °C (-148...+356 °F)</p>

Cable sets **Programming tools**

			
<p>Cable with M12 A-coded female connector (5 pin), straight – pigtail Part no. 370 673</p>	<p>Hand programmer for analog output Part no. 253 124</p>	<p>Cabinet programmer for analog output Part no. 253 408</p>	<p>TempoLink® kit for Tempsonics® R-Series V Part no. TL-1-0-AD60 (for D60) Part no. TL-1-0-AS00 (for cable outlet) Part no. TL-1-0-AD34 (for D34)</p>
<p>Material: PUR jacket; black Features: Shielded Cable length: 5 m (16.4 ft) Ingress protection: IP67 (correctly fitted) Operating temperature: -25...+80 °C (-13...+176 °F)</p>	<p>Easy teach-in-setups of stroke length and direction on desired zero / span positions. For sensors with 1 magnet.</p>	<p>Features snap-in mounting on standard DIN rail (35 mm). This programmer can be permanently mounted in a control cabinet and includes a program/run switch. For sensors with 1 magnet.</p>	<ul style="list-style-type: none"> • Connect wirelessly via Wi-Fi enabled device or via USB with the diagnostic tool • Simple connectivity to the sensor via 24 VDC power line (permissible cable length: 30 m) • User friendly interface for mobile devices and desktop computers • See data sheet "TempoLink® smart assistant" (document part no.: 552070) for further information

* / Follow the manufacturer's mounting instructions
Color of connectors and cable jacket may change. Colors of the cores and technical properties remain unchanged.
Controlling design dimensions are in millimeters and measurements in () are in inches

Extension cables



PVC cable with M12 female connector (6 pin), straight – pigtail

PVC cable (part no. 530 032) with M12 female connector, straight (part no. 370 677)

Order code:
K2-A-370677-xxxxyy-530032-0
(where xxxx = cable length and yy = unit in centimeters “CM” or feet “FT”)

PUR cable with M12 female connector (6 pin), straight – pigtail

PUR cable (part no. 530 052) with M12 female connector, straight (part no. 370 677)

Order code:
K2-A-370677-xxxxyy-530052-0
(where xxxx = cable length and yy = unit in centimeters “CM” or feet “FT”)

FEP cable with M12 female connector (6 pin), straight – pigtail

FEP cable (part no. 530 112) with M12 female connector, straight (part no. 370 677)

Order code:
K2-A-370677-xxxxyy-530112-0
(where xxxx = cable length and yy = unit in centimeters “CM” or feet “FT”)

Color of connectors and cable jacket may change. Colors of the cores and technical properties remain unchanged.