

# TANGO

## Position limit switch



Cross position limit switches designed to control the movement of overhead travelling cranes, hoists and complex machine tools. Tango has rods with maintained positions every 60°.

### FEATURES

- Modern design and overall dimensions studied to facilitate installation and maintenance operations.
- 4 fixing holes.
- Rods with 4 maintained positions every 60°.
- Mechanical life of switches: 1 million operations.
- Operation frequency: 3600 operations / hour max.
- IP protection degree: Tango is classified IP65.
- Extreme temperature resistance: -25°C to +70°C.
- Enclosure and head in thermoplastic material (nylon reinforced with fiberglass) and internal components in technopolymers to guarantee long life-cycle and constant performance.
- All materials and components used are wear resistant and guarantee protection of the unit against water and dust.

### OPTIONS

- Slow action switches with 1NC or 1NO contacts.
- Available with 2, 3 or 4 switches and different rod lengths.

### CERTIFICATIONS

- CE marking and EAC certification.

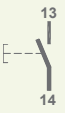
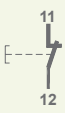
## CERTIFICATIONS

Conformity to Community Directives	2014/35/UE Low Voltage Directive
	2006/42/CE Machinery Directive
Conformity to CE Standards	EN 60204-1 Safety of machinery - Electrical equipment of machines
	EN 60947-1 Low-voltage switchgear and controlgear
	EN 60947-5-1 Low-voltage switchgear and controlgear - Control circuit devices and switching elements - Electromechanical control circuit devices
	EN 60529 Degrees of protection provided by enclosures
Markings and homologations	CE EAC

## GENERAL TECHNICAL SPECIFICATIONS

Ambient temperature	Storage -40°C/+70°C
	Operational -25°C/+70°C
IP protection degree	IP 65
Insulation category	Class II
Operation frequency	3600 operations/hour max
Cable entry	Cable clamp M20

## TECHNICAL SPECIFICATIONS OF THE SWITCHES

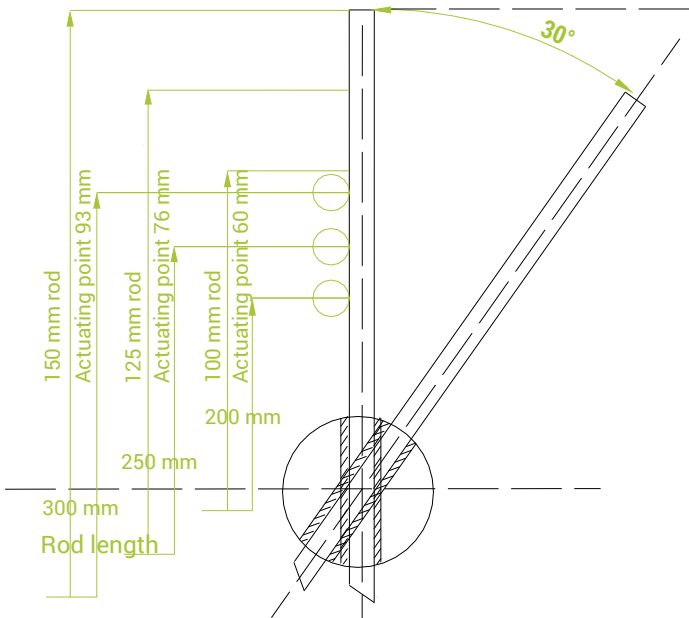
Code	PRSL1000PI	PRSL1001PI
Utilisation category		AC 15
Rated operational current		3 A
Rated operational voltage		250 Vac
Rated thermal current		10 A
Rated insulation voltage		500 Vac
Mechanical life		1x10 <sup>6</sup> operations
Connections	Screw-type terminals	
Wires	1x2.5 mm <sup>2</sup> , 2x1.5 mm <sup>2</sup> (UL - (c)UL: use 60°C or 75°C copper (CU) conductor and wire 16-18 AWG)	
Tightening torque	0.6 Nm	
Microswitch type	Double break, slow action	Double break, slow action
Contacts	1NO	1NC
Scheme		
Markings and homologations	CE cULus EAC	

## MAXIMUM ACTUATING DIMENSIONS

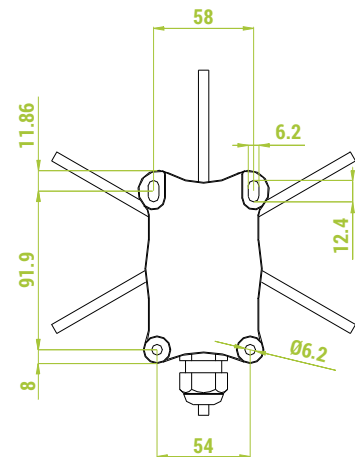
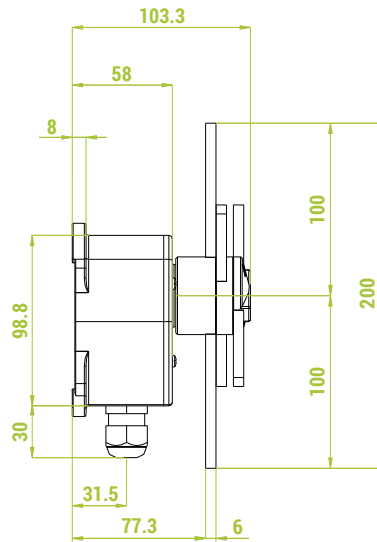
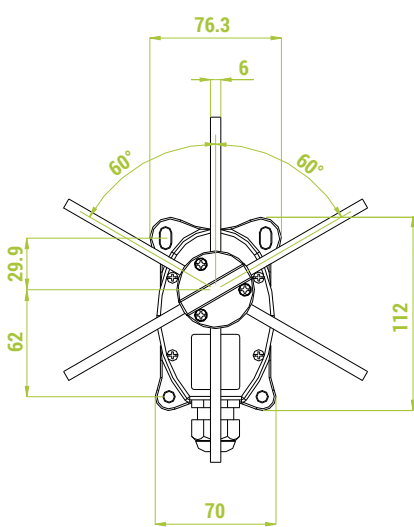
### Rods with 4 maintained positions

- Pre-travel angle for rotation contact operation: 34°
- Maximum rotation angle for each maintained position: 60°
- Average angle for the mechanical tripping: 30°
- Maintained positions each: 60°

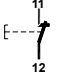
In order to ensure proper operations, the dimensions shall not be increased; anyhow, they can be decreased, taking into account that the closer the impact point is to the center of the head, the higher the impact and the mechanical wear of rod and shaft are.



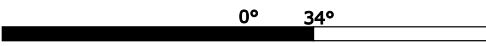
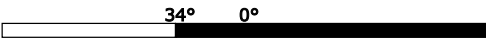
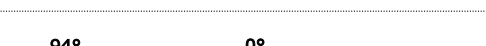
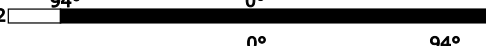
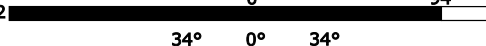

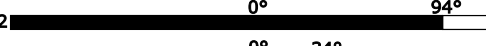
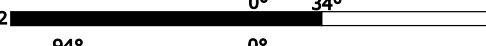
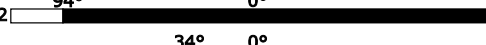
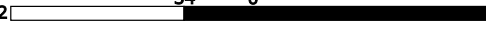
### OVERALL DIMENSIONS (mm)

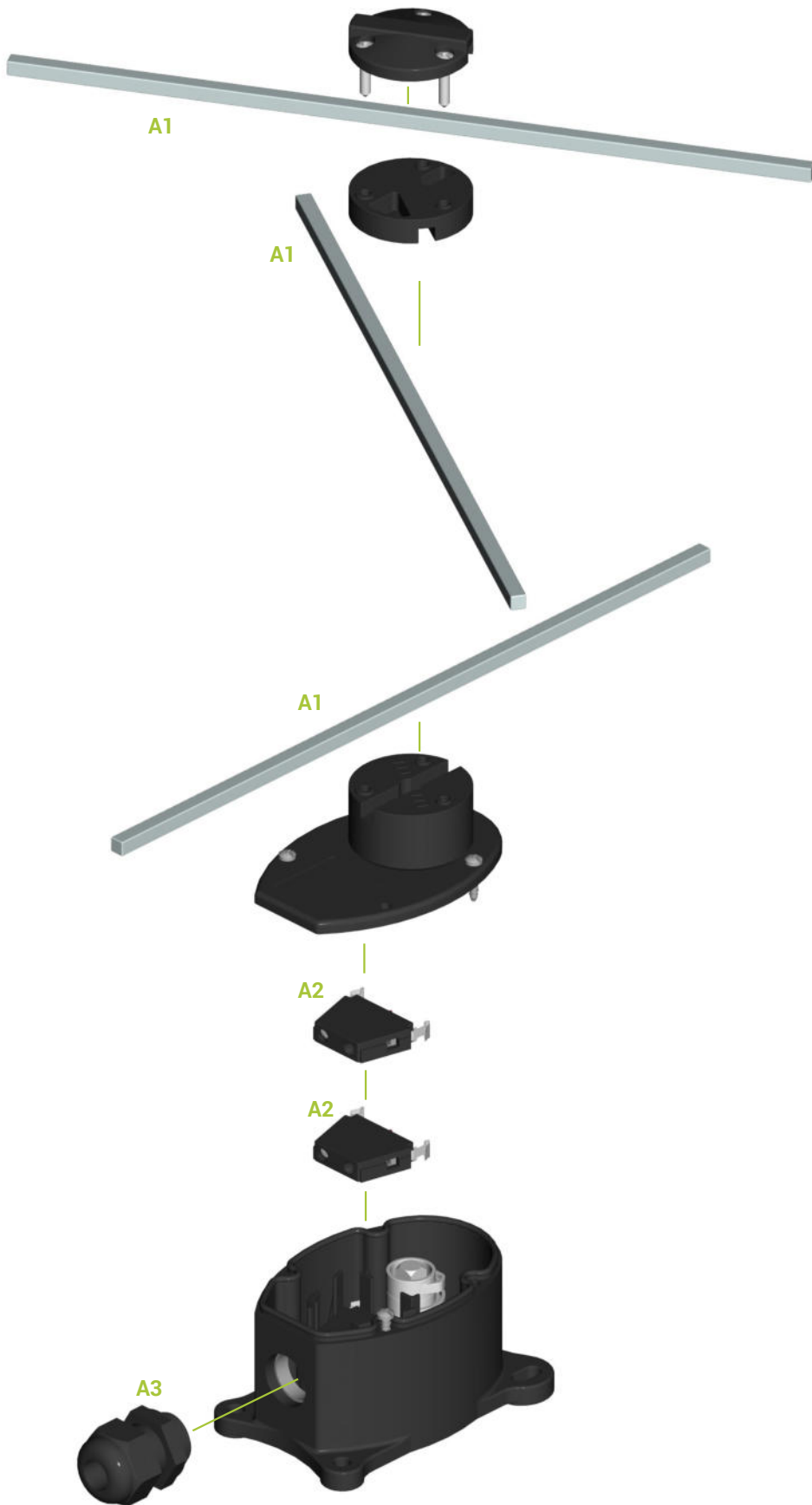


## LIMIT SWITCHES

The limit switches are equipped with 1NC slow action switches PRSL1001PI  .

5



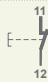
No. of switches PRSL1001PI	Actuating travel	Rod length	Code
2	11-12  0° 34°	300 mm	PF48020001
	11-12  34° 0°	250 mm	PF48020005
	11-12  0° 34°	200 mm	PF48020006
3	11-12  94° 0°	300 mm	PF48030001
	11-12  0° 94°		
	11-12  34° 0° 34°		
4	11-12  0° 94°	300 mm	PF48040001
	11-12  0° 34°	250 mm	PF48040006
	11-12  94° 0°	200 mm	PF48040007
	11-12  34° 0°		



Refer to the following tables for descriptions of components: "Switches" and "Accessories".

## COMPONENTS

## Switches

Ref.	Drawing	Description	Scheme	Code
A2		1NO switch		PRSL1000PI
		1NC switch		PRSL1001PI

## Accessories

Ref.	Drawing	Description	Code
A1		Rod 6x6x200 mm	PRT03006PE
		Rod 6x6x250 mm	PRT03011PE
		Rod 6x6x300 mm	PRT03012PE
A3		Cable clamp M20	PRPS0064PE