

# SMALL SEMICONDUCTOR HEATER

RCE 016 | 5 W, 9 W



- > Wide voltage range
- > Dynamic heating up

- > Energy saving
- > Compact

Small heaters designed to prevent condensation and to ensure a minimum operating temperature in small enclosures. The heaters are designed for permanent operation.

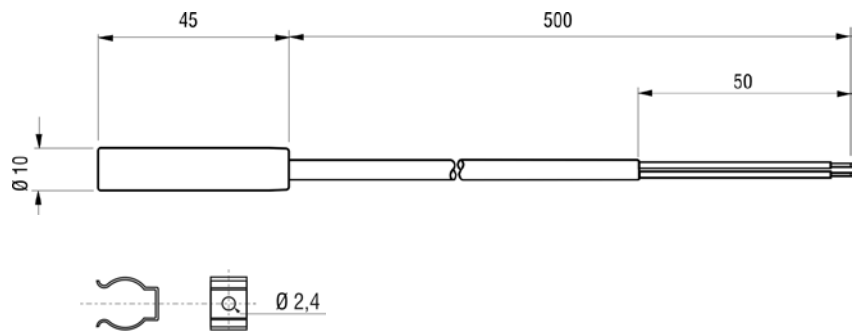
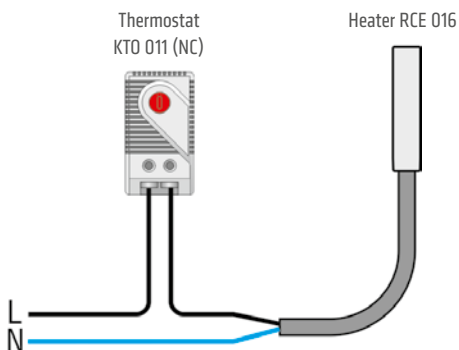


## TECHNICAL DATA

Operating voltage	AC/DC 120 - 240 V <sup>1</sup> (min. 110 V, max. 265 V)
Heating element	PTC resistor, temperature limiting
Heater body	aluminium
Mounting	see Accessories
Fitting position	variable
Dimensions	length 45 mm, Ø 10 mm
Operating/Storage temperature	-45 to +70 °C (-49 to +158 °F)
Operating/Storage humidity	max. 90 % RH (non-condensing)
Protection type/Protection class	IP54 / II (double insulated)
Approvals	VDE, UL File No. E150057 (according to UL 508A, NITW File on request), EAC
Accessories	mounting clips (see illustration), Art. No. 09008.0-01
Note	other voltages on request

<sup>1</sup> Operating with voltages below AC/DC 140 V reduces heating performance by approx. 10 %.

Example of connection



Mounting clips, Art. No. 09008.0-01 (1 packing unit = 2 pieces)

Art. No.	Heating capacity <sup>2</sup>	Inrush current max.	Recommended pre-fuse T (time-delay)	Surface temperature (approx.)	Connection	Weight (approx.)
01622.0-00	5 W	2.0 A	2.0 A	+165 °C	2 x AWG 22 cable (silicone)	20 g
01623.0-00	9 W	2.5 A	4.0 A	+175 °C	2 x AWG 22 cable (silicone)	20 g

<sup>2</sup> at +20 °C (+68 °F) ambient temperature