

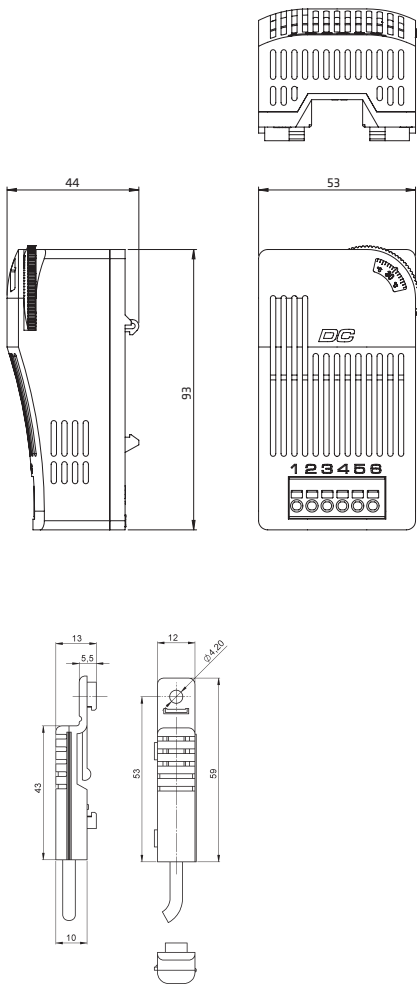
ELECTRONIC THERMOSTAT

DCT 010 | DC 20 to 56 V



- > High DC switching capacity
- > Adjustable temperature
- > Small hysteresis
- > Optical operating display (LED)
- > Integrated switch module
- > Precise measurement via an external sensor

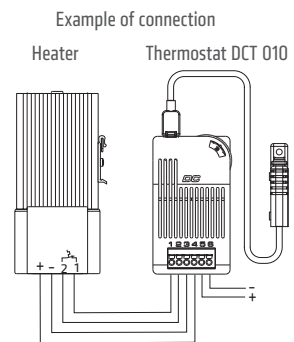
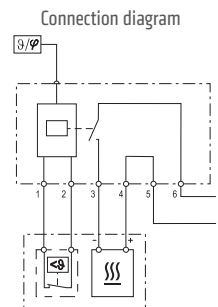
The electronic thermostat with integrated switch module is used to control DC powered devices with high capacities in control and switch cabinets. Heaters, coolers, filter fans or signal devices can directly be controlled via an internal electronic circuit. The external sensor can be positioned freely anywhere in the control cabinet for precise temperature measurements. Additionally, this thermostat is available in versions that not only measure temperature via the external sensor, but also the relative humidity.



TECHNICAL DATA

| | |
|---------------------------------|---|
| Switch difference (temperature) | 3 K (± 1 K tolerance) at +25 °C (+77 °F), 50 % RH |
| Reaction time | approx. 5 sec. |
| External sensor | cable 2 m with snap in connector (included in the delivery) |
| Contact type | contact maker NO (MOSFET) or contact breaker NC (MOSFET) |
| Service life | > 100,000 cycles |
| Operating voltage | DC 20 to 56 V |
| Optical indicator | LED |
| Connection | 6-pole terminal: stranded wire ¹ 1.5 mm ² (AWG 16); max. 2.5 mm ² (AWG 12) |
| Mounting | clip for 35 mm DIN rail, EN 60715 |
| Casing | plastic according to UL94 V-0, grey (bicolor) |
| Dimensions | 93 x 53 x 44 mm |
| Weight | approx. 120 g (incl. sensor) |
| Fitting position | vertical |
| Storage temperature | -40 to +80 °C (-40 to +176 °F) |
| Operating / Storage humidity | max. 90 % RH (non-condensing) |
| Protection type | IP20 |
| Approvals | UL File No. E164102, VDE, EAC |
| Note | other versions (e.g. setting ranges and °F) on request |

¹ When connecting with stranded wires, wire end ferrules must be used.



| Art. No. | Max. switching capacity | Operating temperature | Primary switching function setting range temperature | Secondary switching function ² humidity setting | Contact (primary) |
|------------|-------------------------|--------------------------------------|--|--|----------------------|
| 01011.0-21 | DC 13 A | -30 °C to +50 °C (-22 °F to +122 °F) | -10 to +50 °C | - | Contact maker (NO) |
| 01011.0-22 | DC 11 A | -30 °C to +60 °C (-22 °F to +140 °F) | 0 to +60 °C | - | Contact maker (NO) |
| 01011.0-41 | DC 13 A | -30 °C to +50 °C (-22 °F to +122 °F) | -10 to +50 °C | 65 % RH pre-set | Contact breaker (NC) |
| 01011.0-42 | DC 11 A | -30 °C to +60 °C (-22 °F to +140 °F) | 0 to +60 °C | 65 % RH pre-set | Contact breaker (NC) |

² Versions with secondary switching function can also register the humidity and therefore offer an additional protection for electronics. Switch difference: 4 % RH (± 1 % tolerance) at +25 °C (+77 °F), 50 % RH.