



FLAT BASE

WALL BASE

POLE BASE

EXTENDED BASE

TUBE BASE

Shown with 40cm SS Extension Tube

ELYPS MB | PART NO

	■	■	□	
ELYPS MB FLAT BASE	32357	32358	32359	
ELYPS MB WALL BASE	32367	32368	32369	
ELYPS MB POLE BASE	32387	32388	32389	
ELYPS MB EXTENDED BASE	32377	32378	32379	
ELYPS MB TUBE BASE	32397	32398	32399	
ELYPS MB EXTENSION	SS L100 32407	SS L200 32408	SS L300 32409	SS L400 32410

ELYPS MB MOUNTING BASE

FLAT BASE

Designed for flat surface mounting when cabling occurs from the bottom of the device and where a compact design is required.

WALL BASE

Designed for lateral/wall mounting.

POLE BASE

Designed for installation on a 1/2" NPT threaded pole.

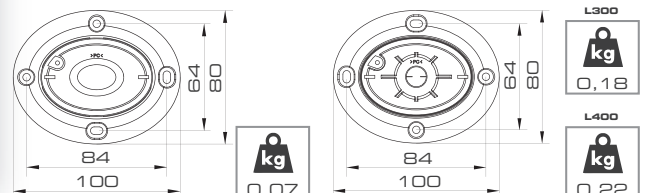
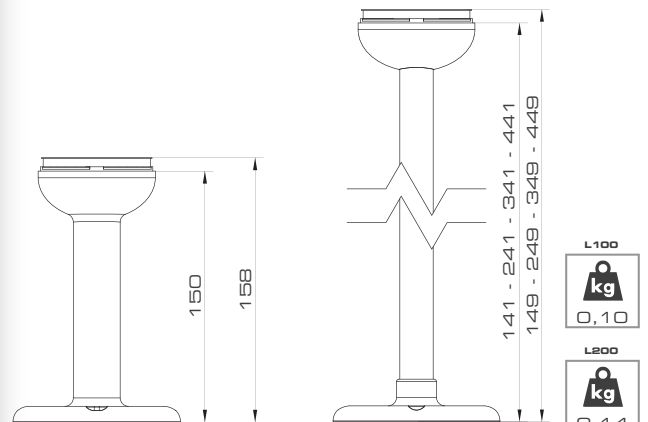
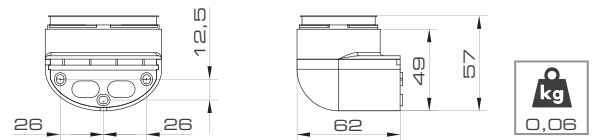
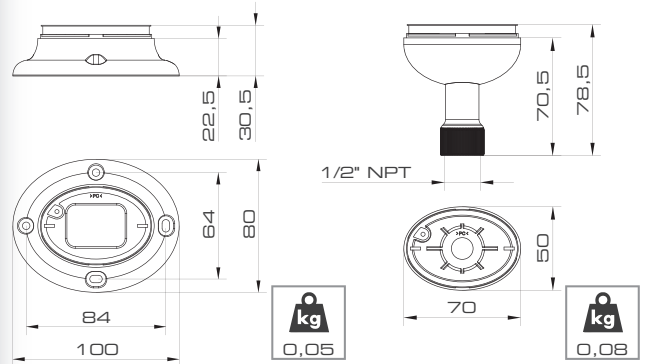
EXTENDED BASE

Designed for flat surface mounting. Stacklight position lifted by 10cm.

TUBE BASE

Designed for the use in conjunction with a Stainless Steel extension tube. Tube lengths available: 10, 20, 30 and 40cm. Custom lengths available on request.

DRAWINGS, DIMENSIONS AND WEIGHTS

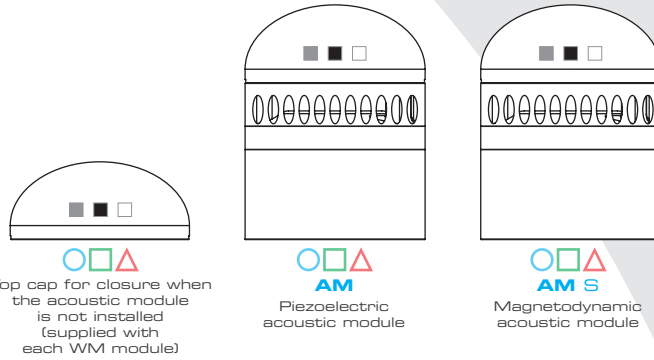


ELYPS

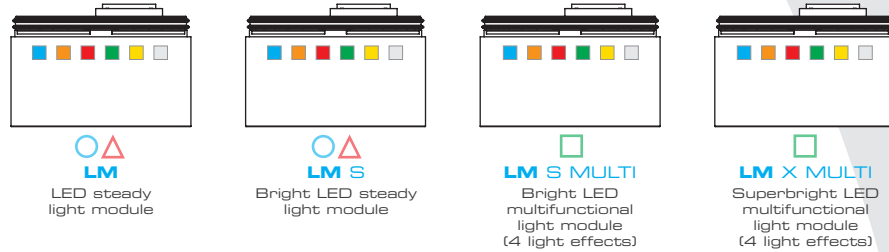
everybody loves beauty

PHILOSOPHIES

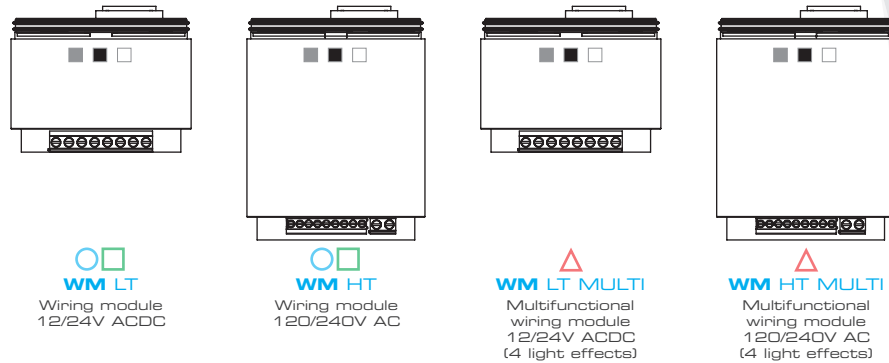
AM ACOUSTIC MODULE



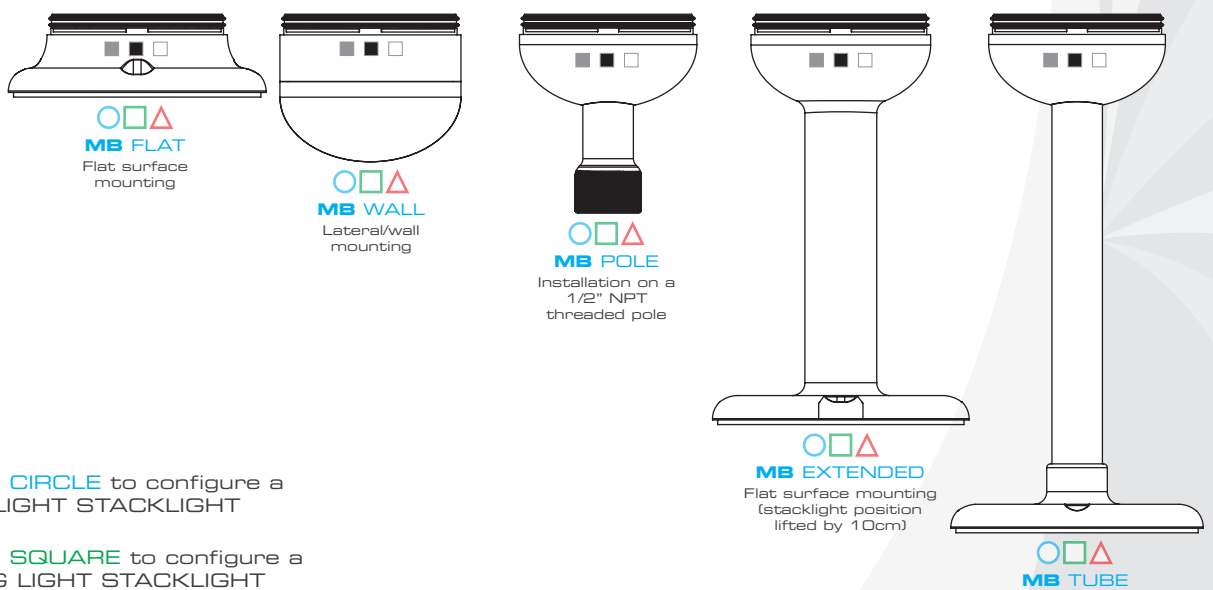
LM LIGHT MODULE






WM WIRING MODULE



MB MOUNTING BASE



-  Follow the **CIRCLE** to configure a **STEADY LIGHT STACKLIGHT**
-  Follow the **SQUARE** to configure a **FLASHING LIGHT STACKLIGHT**
-  Follow the **TRIANGLE** to configure a **STACKLIGHT WITH FLASHING CONTROLS IN THE BASE**