



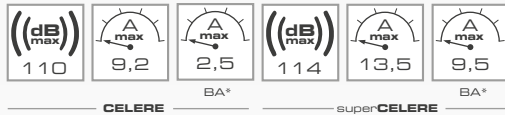
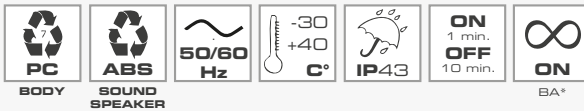
mini**CELERE**

CELERE

super**CELERE**



> 114 dB max <
> CONTINUOUS SOUND <



* Low consumption versions

mini**CELERE** | PART NO

	GY	BK
12V ACDC	42000	42010
24V ACDC	42001	42011
48V ACDC	42002	42012
110V ACDC	42003	42013
240V ACDC	42005	42015
12V DC BA	42006	42016
24V DC BA	42007	42017

CELERE | PART NO

	GY	BK
12V ACDC	42020	42030
24V ACDC	42021	42031
48V ACDC	42022	42032
110V ACDC	42023	42033
240V ACDC	42025	42035
12V DC BA	42026	42036
24V DC BA	42027	42037

super**CELERE** | PART NO

	GY	BK
12V ACDC	42040	42050
24V ACDC	42041	42051
48V ACDC	42042	42052
110V ACDC	42043	42053
240V ACDC	42045	42055
12V DC BA	42046	42056
24V DC BA	42047	42057

CELERE

Electro-mechanical siren engineered for industrial applications.

The device, made up of an electric motor connected to an internal fan, generates a long high-pitched sound. The high frequency sound replicates typical features of a whistle, allowing recognition of this sound from users.

Ideal choice for industrial applications, from general-purpose signalization to warning of impending dangers.

3 sizes (mini**CELERE**, **CELERE** and super**CELERE**) according to the desired sound output. Available in BA versions (low consumption).

KEY CHARACTERISTICS

NUMBER OF TONES
1 (Continuous Sound)

VOLTAGES
12V ACDC, 24V ACDC, 48V ACDC, 110V ACDC, 240V ACDC +/-10%
BA: 12V DC, 24V DC +/-10%

PROTECTION GRADE
IP43

OPERATING TEMPERATURE
-30/+40 °C

MECHANICAL FEATURES

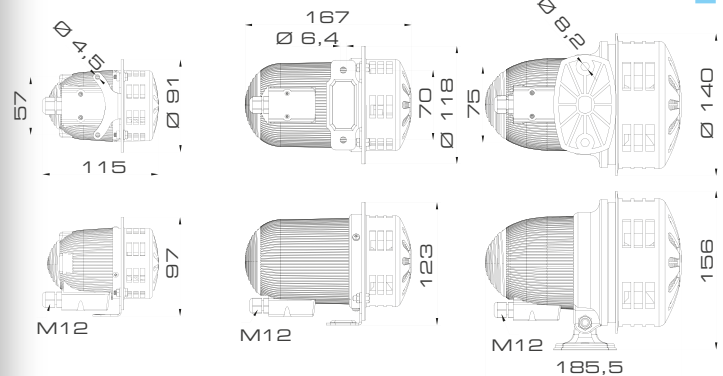
Self-extinguishing PC body with high impact resistance. ABS sound speaker
Motor protection thermal circuit breaker installed on **CELERE** and super**CELERE** versions.
Easy installation by means of the integrated fixing bracket.

Screw mounting (screws not included)

ACOUSTIC FEATURES

Electro-mechanical sirens with continuous sound. They reach the fundamental frequency after a short time period:
mini**CELERE**: 1020/1730Hz
CELERE: 1020/1430Hz
super**CELERE**: 800/1120Hz

DRAWINGS, DIMENSIONS AND WEIGHTS



mini CELERE	mini CELERE BA	CELERE	CELERE BA	super CELERE	super CELERE BA
kg	kg	kg	kg	kg	kg
0,40	0,30	1,20	0,60	1,60	1,50

CERTIFICATIONS

