

All PT9000 and PT9000 Extended Range Series  
Aluminum or Stainless Steel Enclosures  
Ranges: 0–75 to 0–1700 inches

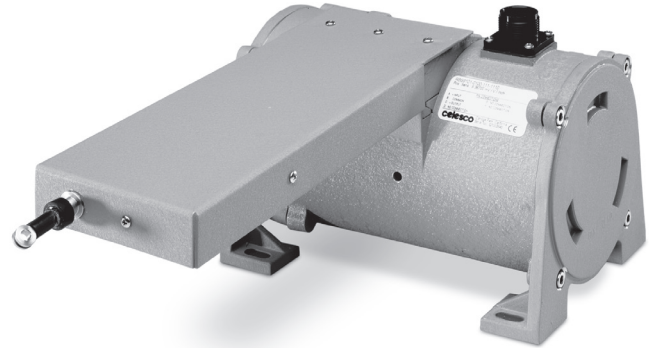
# RBS9000

Protects Against Heavy Dirt & Debris

RBS option offers extra protection against extraordinarily dirty environments

RBS option reduces the cable-exit opening down to a single point to prevent excess debris from entering the spool cavity

RBS option uses two sets of cable brushes to help clean the measuring cable before it is retracted into the enclosure



Designed for extreme applications where exceptional amounts of dirt, spray or some other foreign matter may enter through the standard PT9000 'slot opening' and interfere with the cable reel mechanism.

The RBS9000 reduces the cable opening down to a single-point exit to block most debris from entering the cable-reel area. Because some debris may get drawn into the transducer by the measuring cable upon retraction, we've taken two measures to help reduce that:

First, each RBS9000 is constructed using our nylon-coated measuring cable which has a smooth layer of protection that helps keep debris from clinging to it.

Second, the measuring cable passes through two integral brushes which help wipe away any matter that may be clinging to it.

## Ordering Information:

**RBS** \_\_\_\_\_ - \_\_\_\_\_ **R** - \_\_\_\_\_ **A** - \_\_\_\_\_ **B** - \_\_\_\_\_ **C** - \_\_\_\_\_ **D** - \_\_\_\_\_ **E** - \_\_\_\_\_ **F** - \_\_\_\_\_ **G** **0**

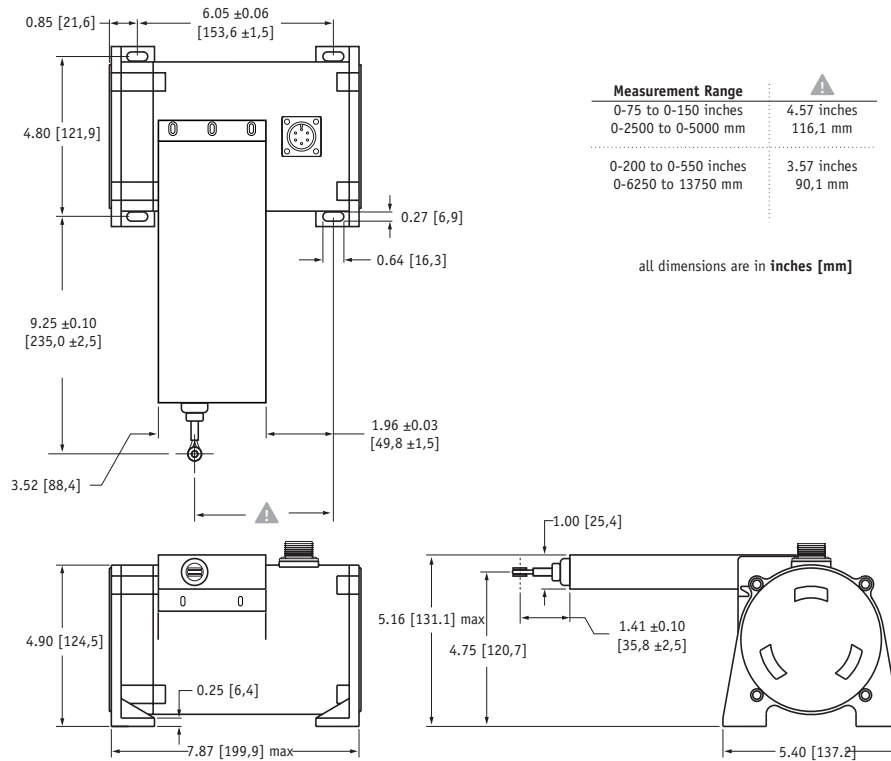
creating RBS model number (example):

<b>PT9101-0600-111-1110</b>	select <b>PT9000</b> model
<del><b>PT</b></del> <b>9101-0600-111-1110</b>	remove " <b>PT</b> "
<b>RBS + 9101-0600-111-1110</b>	add " <b>RBS</b> "
<b>RBS9101-0600-111-1110</b>	completed model number

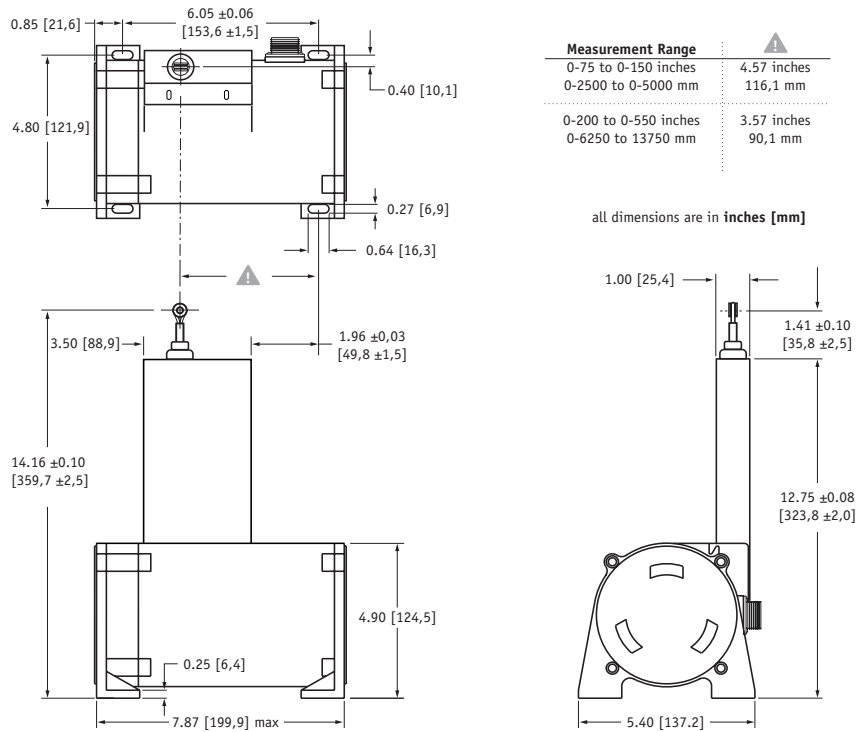
*Important –RBS option only available with nylon-coated measuring cable*

Note—Dimensions **NOT** valid for **Increased Cable Tension Option** and **Extended-Range Series**, Please Consult Factory!

### Front Cable Exit Option

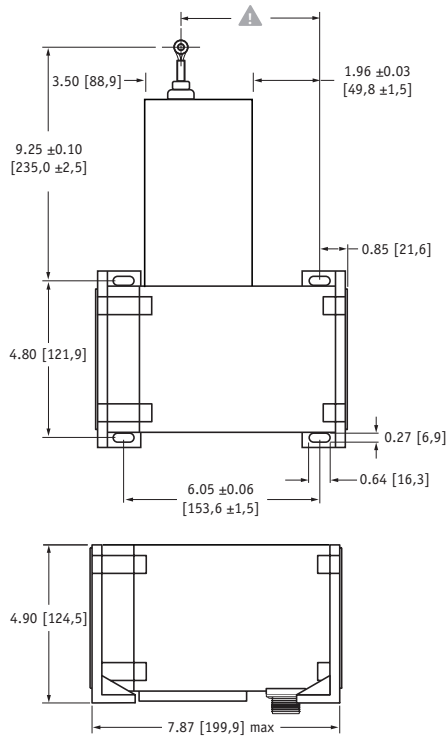


### Top Cable Exit Option



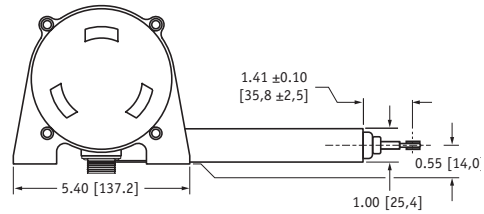
Note—Dimensions **NOT** valid for Increased Cable Tension Option or Extended-Range Series, Please Consult Factory!

## Rear Cable Exit Option

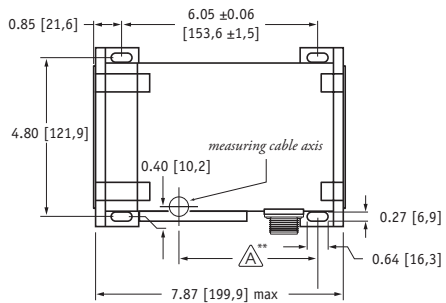


Measurement Range	$\Delta$
0-75 to 0-150 inches	4.57 inches
0-2500 to 0-5000 mm	116,1 mm
0-200 to 0-550 inches	3.57 inches
0-6250 to 13750 mm	90,1 mm

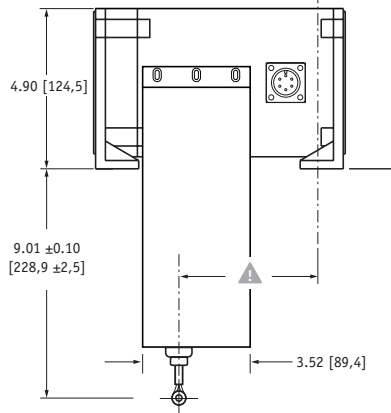
all dimensions are in inches [mm]



## Bottom Cable Exit Option



\*\*Note: see "A" dimension on PT9000 outline drawing



Measurement Range	$\Delta$
0-75 to 0-150 inches	4.57 inches
0-2500 to 0-5000 mm	116,1 mm
0-200 to 0-550 inches	3.57 inches
0-6250 to 13750 mm	90,1 mm

all dimensions are in inches [mm]

