

# 10A/30A

## Slip ring collector



Slip ring collector consisting of rings coupled with brushes, designed to allow current to pass from a fixed to a rotating part and used to supply crane motors and cable winders.

### FEATURES

- Suitable for transmitting current with 50/60 Hz frequency.
- The enclosure has small downward holes for air circulation and to prevent problems due to moisture.
- The lower support plate is provided with three holes to drain any moisture that may form inside the unit.
- The enclosure is made of shock-resistant thermoplastic material to prevent contact with live electrical parts.
- IP protection degree: collector 10A/30A is classified IP22.
- Extreme temperature resistance: -25°C to +70°C.

### OPTIONS

- Up to 40 rings coupled with brushes.
- Available with 30A line rings only or with 30A line rings and 10A auxiliary rings.
- Fitted with phosphor bronze or graphite brushes.

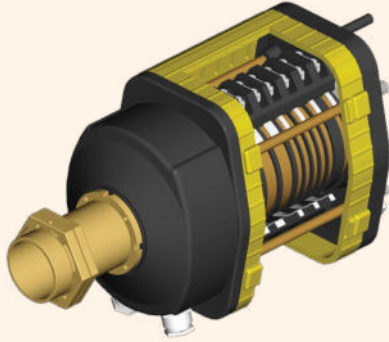
### CERTIFICATIONS

- CE marking and EAC certification.

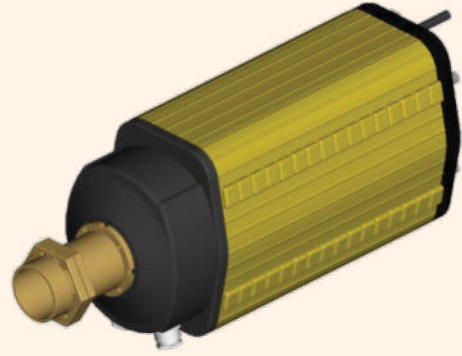
*Fill in the "request form" for accurate product configuration.*

## POSSIBLE ASSEMBLIES

Standard (section view)



Standard 16 rings



## CERTIFICATIONS

Conformity to Community Directives	2014/35/UE Low Voltage Directive
	2006/42/CE Machinery Directive
Conformity to CE Standards	EN 60204-1 Safety of machinery - Electrical equipment of machines
	EN 60309-1 Plugs, socket-outlets and couplers for industrial purposes - General requirements
	EN 60529 Degrees of protection provided by enclosures
Markings and homologations	CE EAC

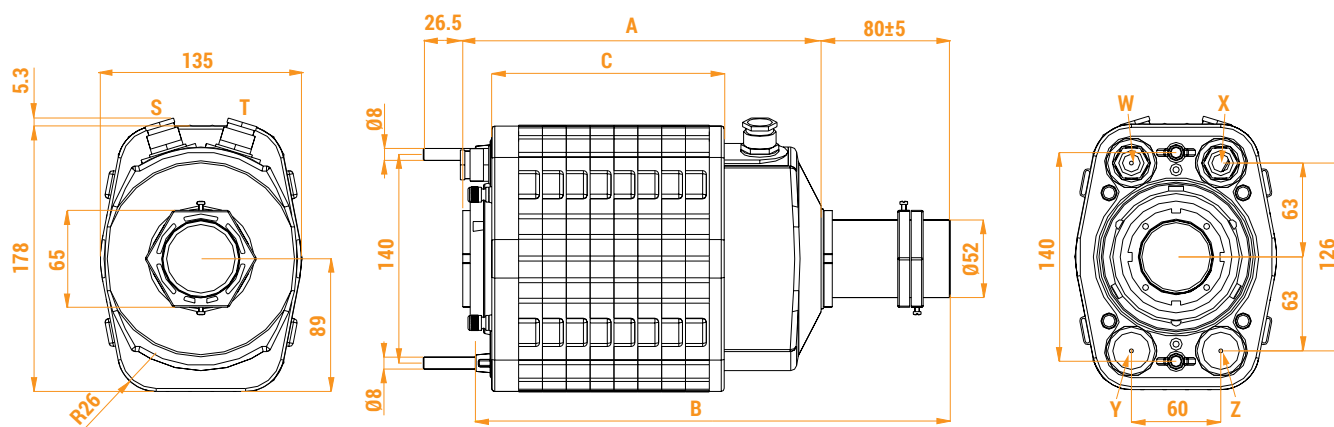
## GENERAL TECHNICAL SPECIFICATIONS

Ambient temperature	Storage -40°C/+70°C
	Operational -25°C/+70°C
IP protection degree	IP 22
Insulation category	Class I
Operating positions	Any position
Cable entry	Cable clamps M20
	Cable clamps M25

## ELECTRICAL SPECIFICATIONS

Rated operational current	10 A - 30 A
Rated operational voltage	400 Vac
Rated insulation voltage	660 Vac
Max. speed	3 rev./min.
Connections	Terminals with Ø 4 mm hole
	Terminals with M4 screw accepting ring connectors

## STANDARD SLIP RING COLLECTORS AND OVERALL DIMENSIONS (mm)



### 10A and 30A rings

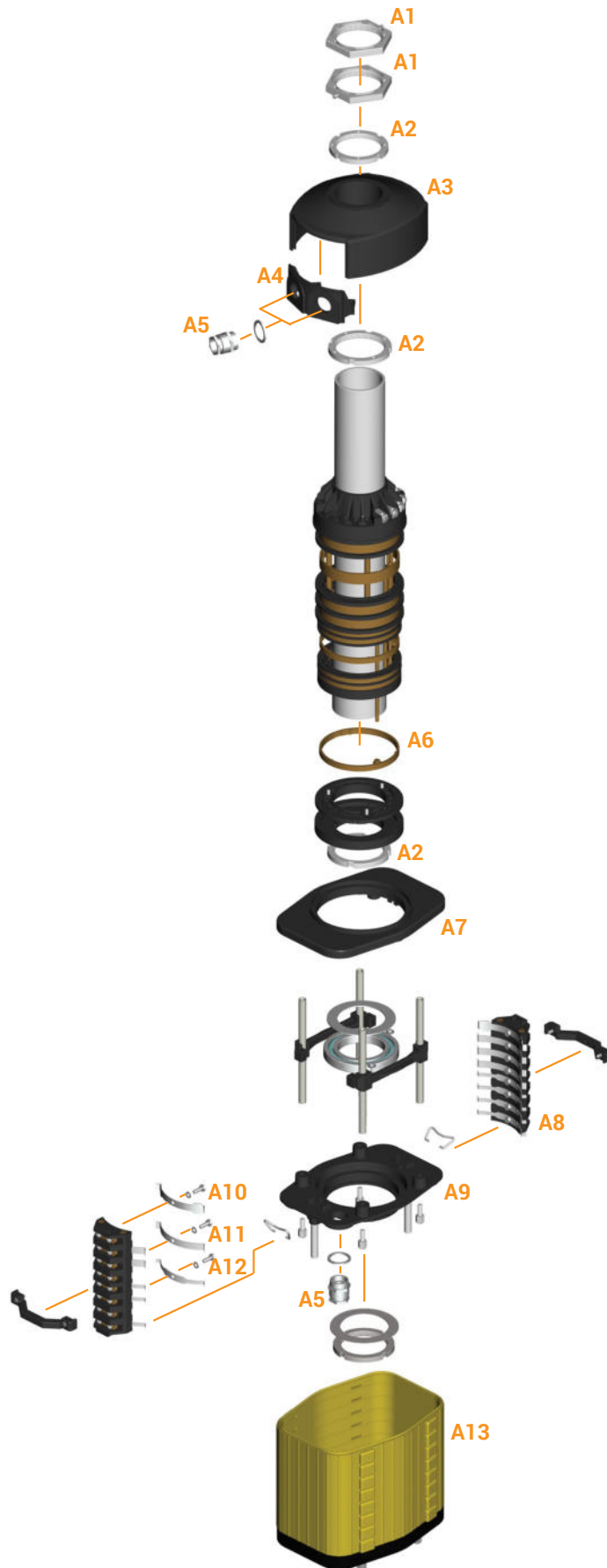
No. of rings 10A	No. rings 30A	Cable clamps type and position						Code	Dimensions (mm)		
		S	T	W	X	Y	Z		A	B	C
1	4	M20	-	M20	-	-	-	PF2305B001	195	265	108
2	4	M20	-	M20	-	-	-	PF2306B003	211	281	124
3	4	M20	M20	M20	-	-	M20	PF2307B002	211	281	124
4	4	M20	M20	M20	-	-	M20	PF2308B001	227	297	140
5	4	M20	M20	M20	-	-	M20	PF2309B001	227	297	140
6	4	M20	M20	M20	-	-	M20	PF2310B001	243	313	156
7	4	M20	M20	M20	-	-	M20	PF2311B001	243	313	156
8	4	M20	M20	M20	-	-	M20	PF2312B001	259	329	172
9	4	M20	M20	M20	-	-	M20	PF2313B002	259	329	172
10	4	M20	M20	M20	-	-	M20	PF2314B001	275	345	188
11	4	M20	M20	M20	-	-	M20	PF2315B002	275	345	188
12	4	M20	M20	M20	-	-	M20	PF2316B001	291	361	204
Max No. of rings: 40									483	553	396

### 30A rings

No. of rings 30A	Cable clamps type and position						Code	Dimensions (mm)			
	S	T	W	X	Y	Z		A	B	C	
3	M20	-	M20	-	-	-	PF2303B001	179	249	92	
4	M20	-	M20	-	-	-	PF2304B001	195	265	108	
5	M20	-	M20	-	-	-	PF2305B002	211	281	124	
6	M20	-	M20	-	-	-	PF2306B002	227	297	140	
7	M20	M20	M20	M20	-	-	PF2307B001	243	313	156	
8	M20	M20	M20	M20	-	-	PF2308B003	259	329	172	
9	M20	M20	M20	M20	-	-	PF2309B002	275	345	188	
10	M20	M20	M20	M20	-	-	PF2310B003	291	361	204	
11	M20	M20	M20	M20	-	-	PF2311B002	307	377	220	
12	M20	M20	M20	M20	-	-	PF2312B002	323	393	236	
13	M20	M20	M20	M20	-	-	PF2313B003	339	409	252	
14	M20	M20	M20	M20	-	-	PF2314B003	355	425	268	
15	M20	M20	M20	M20	-	-	PF2315B005	371	441	284	
16	M20	M20	M20	M20	-	-	PF2316B004	387	457	300	
Max No. of rings: 20									451	521	364

ASSEMBLY DRAWING






6



Refer to the following tables for descriptions of components: "Brushes and rings", "Cable clamps" and "Accessories".

## COMPONENTS



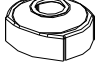

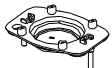

### Brushes and rings

Ref.	Drawing	Description	Code
A6		Auxiliary ring 10A	PRSL4060PE
		Line ring 30A	PRSL4064PE
A8		Brush-holder with brushes	Codes on request
A10		Earth brush	PRSL4062PI
A11		Line brush	PRSL4058PI
A12		Auxiliary phosphor bronze brush	PRSL4061PI
		Auxiliary graphite brush (2 brushes used as line brush)	PRVV9075PE

### Cable clamps

Ref.	Drawing	Description	Code
A4		Cable clamp support	PRSL9060PI
A5		Cable clamp M20	PRPS1075PE
		Cable clamp M25	PRPS1076PE

### Accessories

Ref.	Drawing	Description	Code
A1		Nut	PRSL4010PE
A2		Ring - pitch 1.5	PRSL4001PE
A3		Cover - 1 hole	PRSL5665PI
		Cover - 2 holes	PRSL5670PI
A7		Upper plate	PRSL4056PE
A9		Lower plate	PRSL4055PE
A13		Protection	Codes on request

