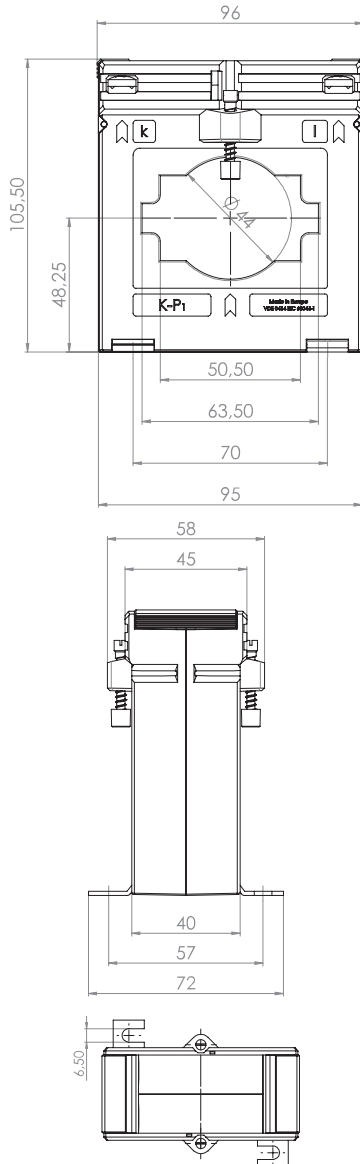


## ASK 61.4

### Plug-in current transformer





Bus bar 1            63 x 10 mm  
 Bus bar 2            2 x 50 x 10 mm  
 Round conductor    44 mm  
 Transformer width   96 mm  
 Height                105,5 mm  
 Depth                 58 mm



| Primary current [A] | Burden [VA] | Secondary current [A] / Class |                      |                       |                    |                      |
|---------------------|-------------|-------------------------------|----------------------|-----------------------|--------------------|----------------------|
|                     |             | 5 A Cl. 1 Art.-no.            | 5 A Cl. 0,5 Art.-no. | 5 A Cl. 0,2s Art.-no. | 1 A Cl. 1 Art.-no. | 1 A Cl. 0,5 Art.-no. |
| 200                 | 1,5         | 19047                         | 19009                |                       | 19247              | 19209                |
|                     | 2,5         | 19048                         | 19010                |                       | 19248              | 19210                |
| 250                 | 1,5         | 19049                         | 19011                | V41-1804C             | 19249              | 19211                |
|                     | 2,5         | 19050                         | 19012                | V41-1804D             | 19250              | 19212                |
|                     | 5           | 19111                         |                      |                       | 19175              |                      |
| 300                 | 1,5         | 19051                         | 19013                |                       | 19251              | 19213                |
|                     | 2,5         | 19052                         | 19014                | V41-1904D             | 19252              | 19214                |
|                     | 5           | 19053                         | 19015                | V41-1904F             | 19253              | 19215                |
| 400                 | 1,5         | 19054                         | 19016                |                       | 19254              | 19216                |
|                     | 2,5         | 19055                         | 19017                | V41-2004D             | 19255              | 19217                |
|                     | 5           | 19056                         | 19018                | V41-2004F             | 19256              | 19218                |
|                     | 10          | 19057                         | 19094                | V41-2004H             | 19257              | 19294                |
| 500                 | 1,5         |                               | 19019                |                       |                    | 19219                |
|                     | 2,5         | 19058                         | 19020                | V41-2104D             | 19258              | 19220                |
|                     | 5           | 19059                         | 19021                | V41-2104F             | 19259              | 19221                |
|                     | 10          | 19060                         | 19095                | V41-2104H             | 19260              | 19295                |
| 600                 | 15          | 19061                         |                      |                       | 19261              |                      |
|                     | 2,5         | 19062                         | 19022                | V41-2204D             | 19262              | 19222                |
|                     | 5           | 19063                         | 19023                | V41-2204F             | 19263              | 19223                |
|                     | 10          | 19064                         | 19024                | V41-2204H             | 19264              | 19224                |
| 750                 | 15          | 19065                         | 19097                | V41-2204J             | 19265              | 19297                |
|                     | 2,5         | 19066                         | 19025                | V41-2304D             | 19266              | 19225                |
|                     | 5           | 19067                         | 19026                | V41-2304F             | 19267              | 19226                |
|                     | 10          | 19068                         | 19027                | V41-2304H             | 19268              | 19227                |
| 800                 | 15          | 19069                         | 19098                | V41-2304J             | 19269              | 19298                |
|                     | 2,5         | 19070                         | 19028                |                       | 19270              | 19228                |
|                     | 5           | 19071                         | 19029                |                       | 19271              | 19229                |
|                     | 10          | 19072                         | 19030                |                       | 19272              | 19230                |
| 1000                | 15          | 19073                         | 19031                |                       | 19273              | 19231                |
|                     | 2,5         |                               |                      | V41-2504D             |                    |                      |
|                     | 5           | 19074                         | 19032                | V41-2504F             | 19274              | 19232                |
|                     | 10          | 19075                         | 19033                | V41-2504H             | 19275              | 19233                |
| 1200                | 15          | 19076                         | 19034                | V41-2504J             | 19276              | 19234                |
|                     | 2,5         |                               |                      | V41-2604D             |                    |                      |
|                     | 5           | 19078                         | 19035                | V41-2604F             | 19278              | 19235                |
|                     | 10          | 19079                         | 19036                | V41-2604H             | 19279              | 19236                |
|                     | 15          | 19080                         | 19037                | V41-2604J             | 19280              | 19237                |
|                     | 30          | 19081                         | 19100                |                       | 19281              | 19300                |

|                     |             | Secondary current [A] / Class |                     |                      |                   |                     |
|---------------------|-------------|-------------------------------|---------------------|----------------------|-------------------|---------------------|
| Primary current [A] | Burden [VA] | 5 A                           | 5 A                 | 5 A                  | 1 A               | 1 A                 |
|                     |             | Cl. 1<br>Art.-no.             | Cl. 0,5<br>Art.-no. | Cl. 0,2s<br>Art.-no. | Cl. 1<br>Art.-no. | Cl. 0,5<br>Art.-no. |
| 1250                | 5           | 19082                         | 19038               | V41-2704F            | 19282             | 19238               |
|                     | 10          | 19083                         | 19039               | V41-2704H            | 19283             | 19239               |
|                     | 15          | 19084                         | 19040               | V41-2704J            | 19284             | 19240               |
|                     | 30          | 19085                         | 19101               |                      | 19285             | 19301               |
| 1500                | 5           | 19086                         | 19041               | V41-2804F            | 19286             | 19241               |
|                     | 10          | 19087                         | 19042               | V41-2804H            | 19287             | 19242               |
|                     | 15          | 19088                         | 19043               | V41-2804J            | 19288             | 19243               |
|                     | 30          | 19089                         | 19102               |                      | 19289             | 19302               |
| 1600                | 5           | 19090                         | 19044               |                      | 19290             | 19244               |
|                     | 10          | 19091                         | 19045               |                      | 19291             | 19245               |
|                     | 15          | 19092                         | 19046               |                      | 19292             | 19246               |
|                     | 30          | 19093                         | 19103               |                      | 19293             | 19303               |

|   |                               | Art.-no.     |
|---|-------------------------------|--------------|
|  | <b>Snap-on mounting</b>       | –            |
|  | <b>Sealed shutter, type C</b> | <b>59042</b> |

• Please note: Current transformers in cl. 0.2S are only deliverable for bus bar 60x10 mm