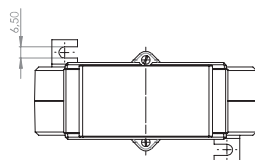
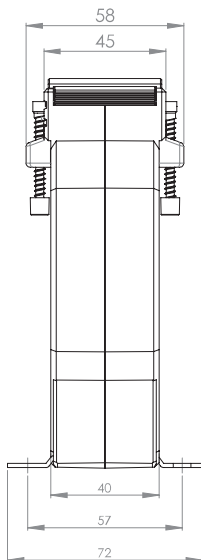
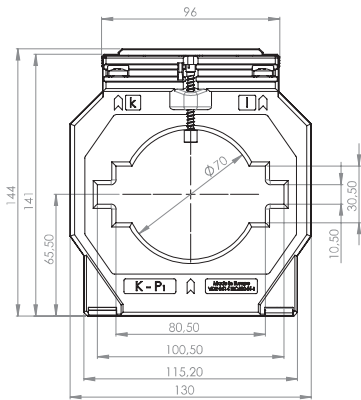


ASK 101.4

Plug-in current transformer



Bus bar 1 100 x 10 mm
 Bus bar 2 2 x 80 x 10 mm
 Round conductor 70 mm
 Transformer width 130 mm
 Height 141 mm
 Depth 58 mm



| Primary current [A] | Burden [VA] | Secondary current [A] / Class | | | |
|---------------------|-------------|-------------------------------|----------------------|--------------------|----------------------|
| | | 5 A Cl. 1 Art.-no. | 5 A Cl. 0,5 Art.-no. | 1 A Cl. 1 Art.-no. | 1 A Cl. 0,5 Art.-no. |
| 500 | 2,5 | | 22009 | | 22209 |
| | 5 | 22076 | 22010 | 22276 | 22210 |
| | 10 | 22077 | | 22277 | |
| 600 | 2,5 | | 22011 | | 22211 |
| | 5 | 22038 | 22012 | 22238 | 22212 |
| | 10 | 22039 | | 22239 | |
| 750 | 2,5 | | 22013 | | 22213 |
| | 5 | 22040 | 22014 | 22240 | 22214 |
| | 10 | 22041 | 22078 | 22241 | 22281 |
| 800 | 5 | 22042 | 22015 | 22242 | 22215 |
| | 10 | 22043 | 22016 | 22243 | 22216 |
| | 15 | 22044 | | 22244 | |
| 1000 | 5 | 22045 | 22017 | 22245 | 22217 |
| | 10 | 22046 | 22018 | 22246 | 22218 |
| | 15 | 22047 | | 22247 | |
| 1200 | 5 | 22048 | 22019 | 22248 | 22219 |
| | 10 | 22049 | 22020 | 22249 | 22220 |
| | 15 | 22050 | | 22250 | |
| 1250 | 5 | 22052 | 22021 | 22252 | 22221 |
| | 10 | 22053 | 22022 | 22253 | 22222 |
| | 15 | 22054 | | 22254 | |
| 1500 | 5 | 22056 | 22023 | 22256 | 22223 |
| | 10 | 22057 | 22024 | 22257 | 22224 |
| | 15 | 22058 | 22025 | 22258 | 22279 |
| 1600 | 5 | 22059 | | 22259 | |
| | 10 | 22060 | 22026 | 22260 | 22226 |
| | 15 | 22061 | 22027 | 22261 | 22227 |
| 1800 | 10 | 22062 | 22028 | 22262 | 22228 |
| | 5 | | 22029 | | 22229 |
| | 10 | 22064 | 22030 | 22264 | 22230 |
| 2000 | 15 | 22065 | 22031 | 22265 | 22231 |
| | 30 | 22066 | | 22266 | |
| | 5 | | 22032 | | 22232 |
| 2000 | 10 | 22068 | 22033 | 22268 | 22233 |
| | 15 | 22069 | 22034 | 22269 | 22234 |
| | 30 | 22070 | 22118 | 22270 | 22280 |

| | | Art.-no. |
|--|-------------------------------|--------------|
| | Snap-on mounting | - |
| | Sealed shutter, type C | 59042 |