



Product designation

Signal tower  
Ø70mm/2.75"  
8TL7GL - Light  
modules

Product type designation

**General characteristics**

Diameter	mm - inch	70 / 2.75
Supply voltage (AC)	V	230...240
Colour		Yellow
IEC degree of protection		IP65

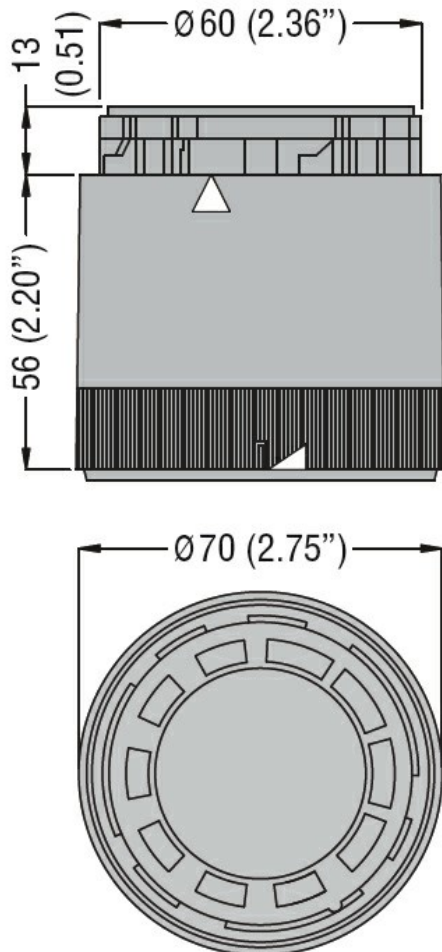
**Mechanical features**

Weight	g	83
--------	---	----

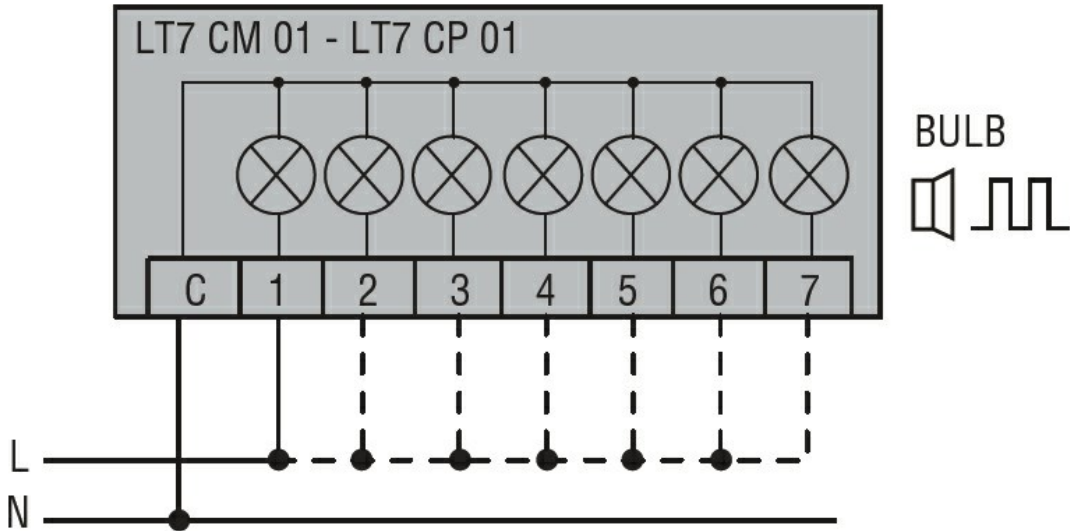
**Ambient conditions**

Temperature	Operating temperature		
	min	°C	-20
	max	°C	+50

**Dimensions**



Wiring diagrams



Connect terminals C and 1 as indicated to power the first module. If other modules are fitted, the respective terminals must be connected accordingly.

Certifications and compliance

Compliance

CSA C22.2 n° 14  
IEC/EN 60947-1  
IEC/EN 60947-5-1  
UL508

Certificates

cULus  
EAC

ETIM classification

ETIM 8.0

EC000232 -  
Optical module  
for signal tower