



Product designation

Signal tower  
Ø70mm/2.75"  
8TL7GL - Light  
modules

Product type designation

**General characteristics**

|                          |           |           |
|--------------------------|-----------|-----------|
| Diameter                 | mm - inch | 70 / 2.75 |
| Supply voltage (AC)      | V         | 24        |
| Supply voltage (DC)      | V         | 24        |
| Colour                   |           | Red       |
| IEC degree of protection |           | IP65      |

**Mechanical features**

|        |   |    |
|--------|---|----|
| Weight | g | 83 |
|--------|---|----|

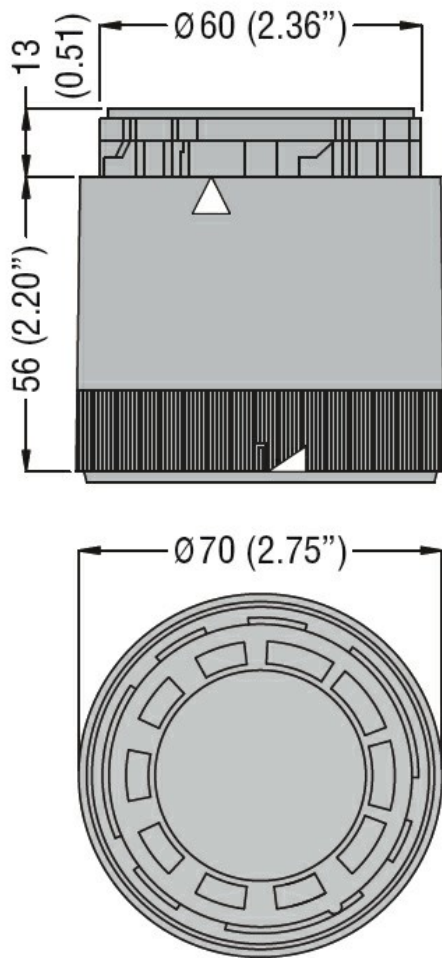
**Ambient conditions**

Temperature

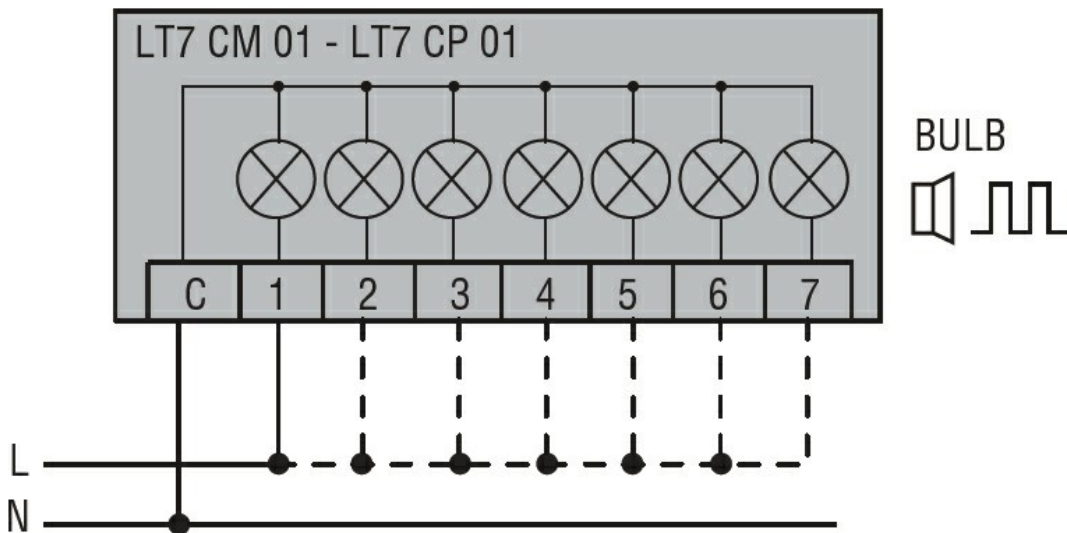
Operating temperature

|     |    |     |
|-----|----|-----|
| min | °C | -20 |
| max | °C | +50 |

**Dimensions**



Wiring diagrams



Connect terminals C and 1 as indicated to power the first module. If other modules are fitted, the respective terminals must be connected accordingly.

Certifications and compliance

Compliance

CSA C22.2 n° 14

---

IEC/EN 60947-1

---

IEC/EN 60947-5-1

---

UL508

---

Certificates

cULus

---

EAC

---

ETIM classification

ETIM 8.0

EC000232 -  
Optical module  
for signal tower