



Product designation

Signal tower
Ø70mm/2.75"

Product type designation

8LT7C -
Connection
modules

General characteristics

Diameter	mm - inch	70 / 2.75
Colour		Black
IEC degree of protection		IP65

Mechanical features

Tightening torque for terminals max	Nm	0.5
Terminals screw		Screw clamp terminals

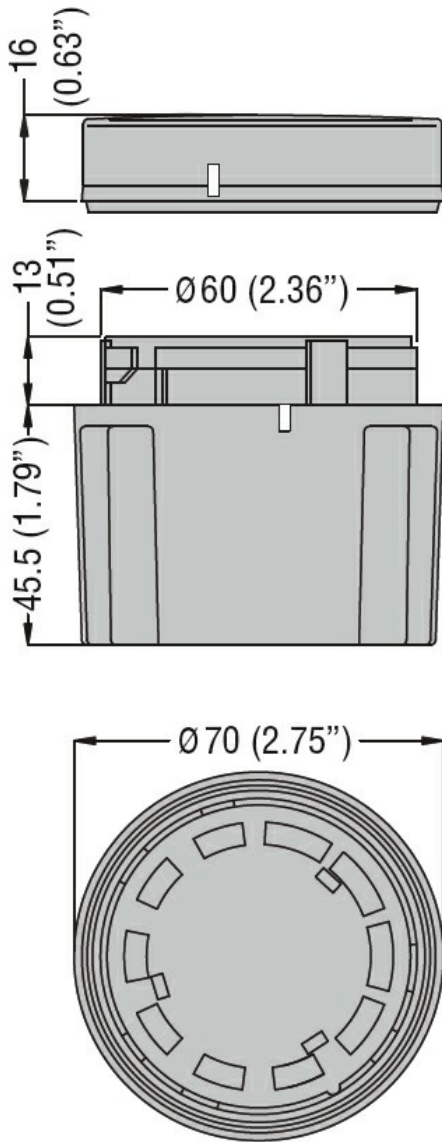
Conductor section	AWG/Kcmil		
		max	16
	IEC	max	mm ² 1.5

Weight		g	110
--------	--	---	-----

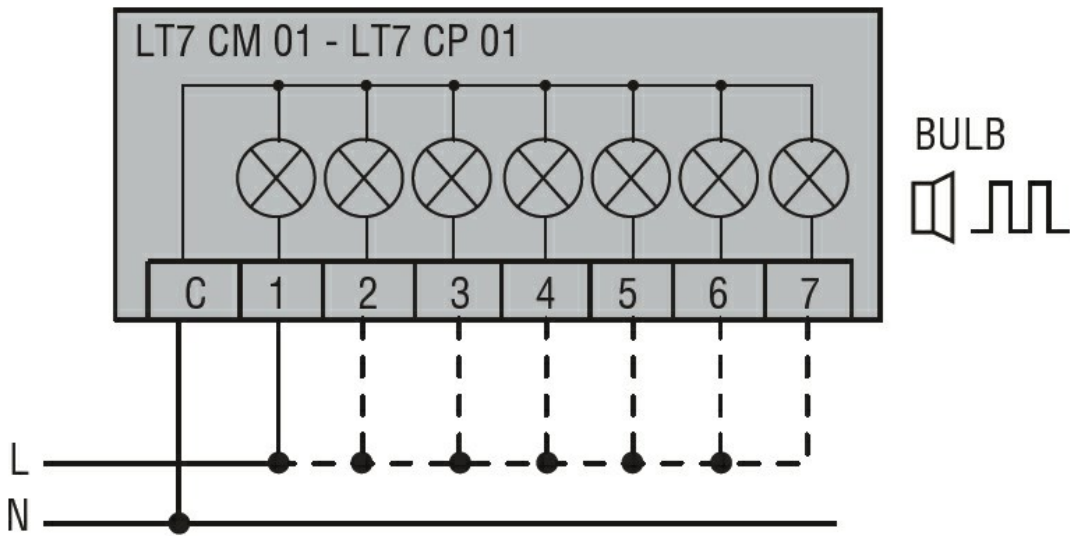
Ambient conditions

Temperature	Operating temperature	min	°C	-20
		max	°C	+50

Dimensions



Wiring diagrams



Connect terminals C and 1 as indicated to power the first module. If other modules are fitted, the respective terminals must be connected accordingly.

Certifications and compliance

Compliance

CSA C22.2 n°14

IEC/EN 60947-1

IEC/EN 60947-5-1

UL508

Certificates

cULus

EAC

ETIM classification

ETIM 8.0

EC001152 -
 Connection
 module for signal
 tower