

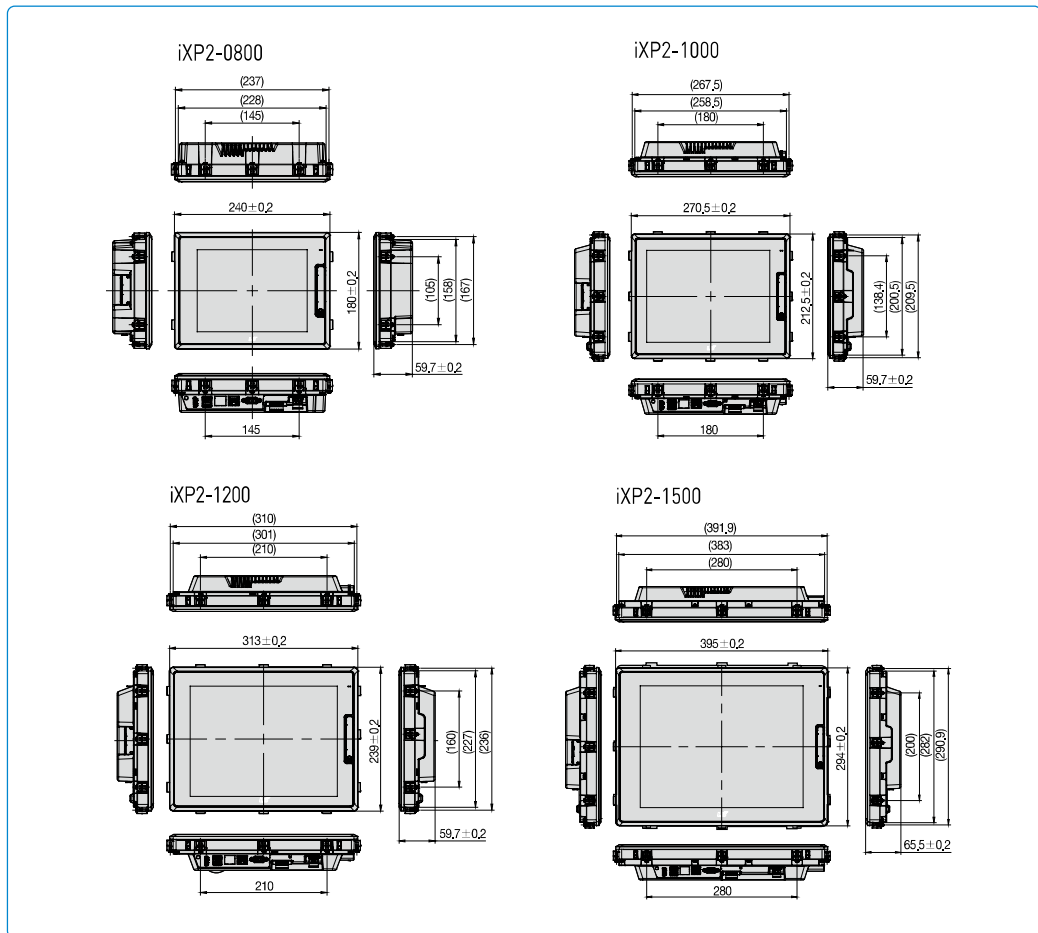
iXP2 Series

- Aluminum body frame, responsive touch screen.
- Easy-to-use Multi-touch, gesture, dual screen, portrait mode.
- Multi connected with 1Gbits 2ch. Ethernet between PC to PLC.
- Various interfaces : USB host /device, SD card, HDMI.
- High resolution : 1024 X 768
- IP66, UL type 4x, NEMA 4x standards
- Explosion proof. IECEx, ATEX, KCs



[Unit: mm]

Dimensions



General Information

Item	Description	Standard		
Ambient temperature	0°C~+50°C			
Storage temperature	-20°C~+60°C			
Ambient humidity	10~85%RH, without dew condensation			
Storage humidity	10~85%RH, without dew condensation			
Vibration resistance	Occasional Vibration		Counts 10 times each direction (X, Y and Z) IEC 61131-2	
	Frequency	Acceleration		Amplitude
	5≤f<9Hz	-		3.5mm
	9≤f≤150Hz	9.8m/s ²		-
	Continuous Vibration			
	Frequency	Acceleration		Amplitude
5≤f<9Hz	-	1.75mm		
9≤f≤150Hz	4.9m/s ²	-		
Shock resistance	Maximum shock acceleration: 147m/s ² (15g) Authorization time: 11ms Pulse waveform: Half-sine wave pulse (3 times each of X, Y and Z)	IEC 61131-2		
Noise resistance	Square wave impulse noise	DC: ±1,200V AC: ±1,600V	LS ELECTRIC Standards	
	Electrostatic discharge	±4kV (Contact discharge)	IEC 61131-2, IEC 61000-4-2	
	Radiated electromagnetic field noise	80 ~ 100MHz, 10V/m	IEC 61131-2, IEC 61000-4-3	
	Fast transient/Burst noise	Power module: 2.4 kV, Communication interface: 1.2kV	IEC 61131-2, IEC 61000-4-4	
Operating ambience	Free from corrosive gas and excessive dust			
Altitude	2,000m (6,562ft) or below			
Pollution degree	2 or under			
Cooling method	Natural air-cooling			

Specifications

Item	iXP2-0800A/D	iXP2-1000A/D	iXP2-1200A/D	iXP2-1500A/D
Display type	TFT color LCD			
Screen size	8.4"	10.4"	12.1"	15"
Display resolution	800X600	1,024X768		
Color indication	24-bit color (16.7M colors)			
Backlight	LED method, automatic On / Off support			
Backlight lifetime	40,000 hour			
Touch panel	Capacitive touch			
Audio output	Magnetic buzzer (85dB)			
Processor	1GHz, Dual core			
Memory	Flash	1GB		
	Operating RAM	1GB		
	Backup RAM	1 Mbyte		
Backup data	Date / Time data, Logging / Alarm / Recipe data, Non-volatile devices			
Battery	CR2032(3.0V/210mAh, About 3years/25°C)			
Video output	1XHDMI			
Ethernet	1X10Base-T / 100Base-TX, 1X10Base-T / 100Base-TX / 1000Base-T			
USB host	3XUSB 2.0 (Front X1, Rear X2)			
USB device	1XUSB 2.0 (Send / Receive front, PC and project data etc.)			
RS-232C	1XRS-232C (DSUB 9 / Male type)			
RS-422/485	1XRS-422/485 (Terminal block)			
Multi-language	Can display 12 languages simultaneously			
Animation	GIF format support			
Recipe	Support			
Data logging	Support			
Script launcher	Support			
Standard certification	CE, KC, UL, IECEx, ATEX, KCs			
Protection standard	IP66, Conform to the UL type 4x, NEMA 4x standard			
Explosion proof	Ex nA IIC T5 Gc, Ex tc IIC T100°C Dc IP64			
Dimensions (mm)	240X180X60	271X212X60	313X239X60	395X294X66
Panel cut (mm)	228.5X158.5	259.0X201.0	301.5X227.5	383.5X282.5
Power	iXP2-xxxxA: AC100 / 240V, iXP2-xxxxD: DC24V			
Power consumption (W)	25	25	30	30
Weight (Kg)	1.87	2.35	3.0	4.6