

New Handyheld HMI

iXP2H Series



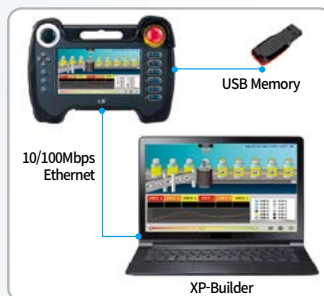
Clear Visibility

- Excellent visibility with high definition and wide screen view
- 1024 X 600 resolution
- 16M color

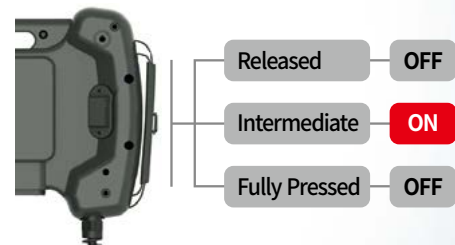


Project Transfer

- Easy project creation by XP-Builder
- Convenient downloading/uploading of Project Files via USB port and Ethernet (Multi-language supported)



3 - Position Enable Switch

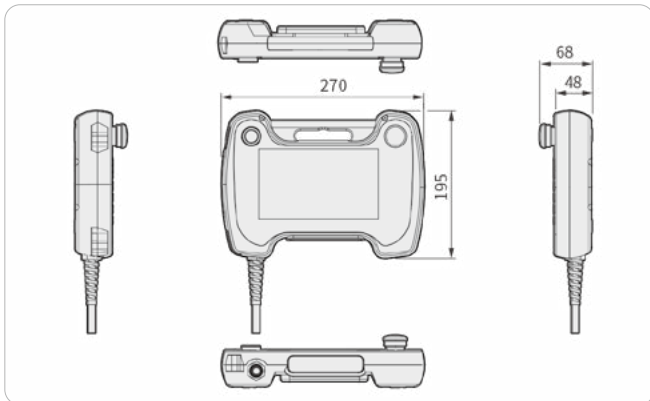


Specification

Model	iXP2H-0702D Series	iXP2H-0704D Series
Display type	TFT color LCD	
Screen size	7"	
Resolution	1024 x 600 pixels	
Color indication	24-bit color (16.7M colors)	
Backlight	LED method, Automatic On/Off support	
Backlight lifetime	50,000 hours	
Touch panel	Resistive overlay (Pressure type)	
Audio	Magnetic buzzer (120 85 dB)	
Processor	ARM Cortex-A9 800 MHz, single core	
Memory	Flash	8 GB (Small memory: 128 MB)
	Operating RAM	1 GB
	Backup RAM	1 MB
Backup type	Date/time data, logging, alarm, recipe data, non-volatile device	
Battery	CR1220 (3.0V/210 mAh, Around 3 years/25°C)	
Ethernet	1 x 10Base-T/100Base-TX	
USB host	1 x USB 2.0 (Below x 1)	
RS-232C	1 x RS-232C (Terminal block)	-
RS-485	-	1 x RS-485 (Terminal block)
Multiple languages	Simultaneous display of 12 languages	
Animation	GIF format support	
Recipe	Supported	
Data logging	Supported	
Script launcher	Supported	
Standard certification	CE, KC	
Protection standard	IP42 (Front)	
Dimensions (mm)	195×270×72 (Excluding cables)	
Power	DC 24 V ±5%	
Power consumption (W)	12	
Weight (Kg)	1.0 (Excluding cables)	

Dimension

Unit : mm



Product list

Model.	Features
iXP2H-0702D05	RS-232C, Ethernet, 5m cable
iXP2H-0702D10	RS-232C, Ethernet, 10m cable
iXP2H-0704D05	RS-485, Ethernet, 5m cable

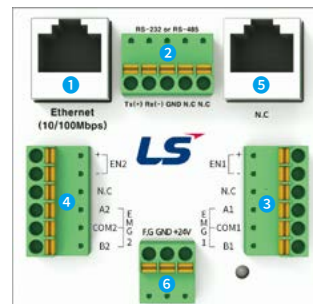
System configuration and features



- 10 SD - Card**
Software update
SD memory (store data)
- 11 Enable Switch**
Released : Disable
Intermediate : Enable
Fully Pressed : Disable

- 1 TFT-LCD**
1024 x 600 TFT LCD, 16.7M color display
Resistive overlay
- 2 Emergency Stop Switch**
Immediately stops the control device or turns off the power as a safety feature
- 3 Left Keypad**
Direction key
F1, F2, F3: User defined
RBG LED: User defined
- 4 Right Keypad**
User defined
* Generally used as shortcut key of each axis of robot.
- 5 Extension device**
Slot of the USB extension device
• When shipped, it is fastened with a separate cover.
• When used, the cover can be removed with a Phillips head (+) screwdriver for use.
- 6 Reset Switch**
Switch for resetting the system
- 7 Debug Port**
A debugging port for developers
- 8 USB Host**
Connect to USB memory: Backup and send logging, recipe, alarm, and project data.
Connect to user interface: Use the mouse and keyboard.
- 9 USB Device(option)**
USB device port (unsupported)

Junction box



- 5 N.C** Not used
- 6 Power terminal block**
DC 24 V input terminal block

- 1 Ethernet Port**
Ethernet : 10Base-T/100Base-TX/1000Base-T
• Connector for Ethernet connection
- 2 Serial terminal block**
RS-485/232C communication connector
• 0702D(for RS-232 model): Tx, Rx, GND
• 0704D(for RS-485 model): TRx+, TRx-
- 3 Switch 2 terminal block**
Signal that is controlled from the front side switch of the product.
• Enable, Emergency (A contact, B contact) switch
- 4 Switch 1 terminal block**
Signal that is controlled from the front side switch of the product.
• Enable, Emergency (A contact, B contact) switch

Seoul Office

LS Yongsan Tower, 92, Hangang-daero, Yongsan-gu, Seoul, 04386, Korea
Tel: 82-2-2034-4033, 4888, 4703 Fax: 82-2-2034-4588
E-mail: automation@lselectric.co.kr



According to The WEEE Directive, please do not discard the device with your household waste.