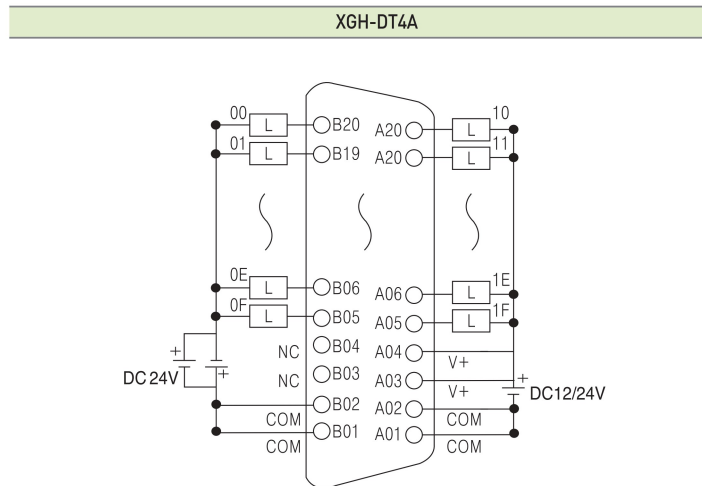


Input/output mixed Type (XGH-DT4A)

Input		Output	
Input points	16 points	Input points	16 points
Insulation method	Photo coupler	Insulation method	Photo coupler
Rated input voltage	DC24V	Rated input voltage	DC12/24V
Rated input current	4mA	Rated input current	DC10.2-26.4V
Input voltage range	DC20.4-28.8V	Input voltage range	0.1A/point, 1.6A/COM
Insulation pressure	AC560Vrms / 3Cycle	Insulation pressure	0.1mA or less
On voltage/current	DC19V or more / 3mA or more	On voltage/current	0.7A/10ms or less
Off voltage/current	DC11V or more / 1.7mA or more	Off voltage/current	Zener diode
Input resistance	5.6*	Input resistance	DC 0.2V or less
Response	Off → On	Response	Off → On
	On → Off		On → Off
Common (COM)	16 points/COM		
Operation display	LED lighting when output is ON		
Internal current consumption	100mA		
External connection	40-point connector		
Weight (kg)	0.1		



Wiring diagram for mixed type



NOTE] Input address for XGK CPU is P00-P0F and Output address is P10-P1F when it is installed on the slot 0.
 Input address for XGI CPU is %IX0.0.0-%IX0.0.15 and Output address is %QX0.0.16-%QX0.0.31