



Adapter for mounting LPC... buttons on DIN rail 35mm/1.38" wide (2 modules) LPXDIN

Product designation

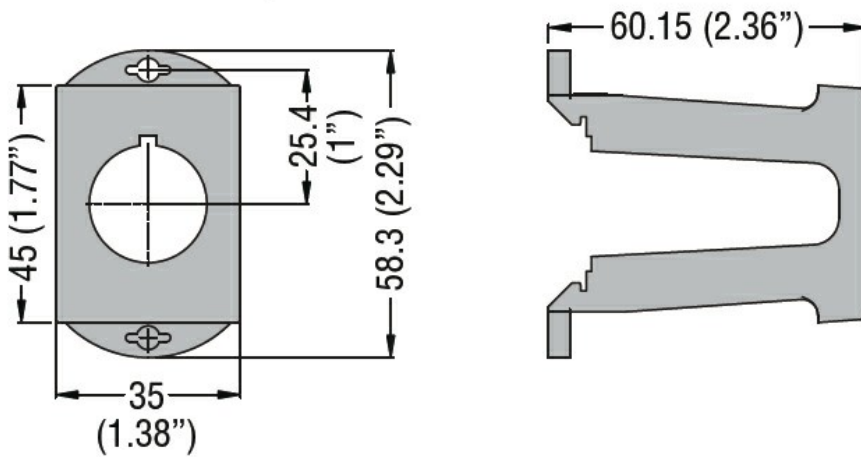
Product type designation

**Mechanical features**

Weight

g 8

**Dimensions**



**Certifications and compliance**

Compliance

/

Certificates

cULus

**ETIM classification**

ETIM 8.0

EC002498 -  
Accessories/spare  
parts for low-  
voltage switch  
technology