



Contact elements with spring-clamp terminals
LPXCS

Product designation

Product type designation

Electrical characteristics

Rated insulation voltage U_i IEC/EN	V	690
IEC Conventional free air thermal current I_{th}	A	10
Conductivity		1mA 5V
UL/CSA and IEC/EN 60947-5-1 designation		A600 Q600

Operating current AC15

12V	A	6
24V	A	6
48V	A	6
120V	A	6
240V	A	3
400V	A	1.9
480V	A	1.5
500V	A	1.4
600V	A	1.2

Operating current DC13

12V	A	3
24V	A	3
48V	A	1.5
125V	A	0.55
250V	A	0.27
440V	A	0.15
500V	A	0.13
600V	A	0.1

Contact resistance	mO	≤20
--------------------	----	-----

Operations

Electrical life	hours	1000000
-----------------	-------	---------

Mechanical features

Operating force	kg-lb	≤0.5kg/1.1lb
-----------------	-------	--------------

Terminals screw		Spring clamps
-----------------	--	---------------

Conductor section

AWG/kcmil conductor section

max	14
-----	----

IEC

max	mm ²	1 or 2 / 2.5
-----	-----------------	--------------

Mounting adapter		LPXAU120
------------------	--	----------

Weight	g	10
--------	---	----

Ambient conditions

Temperature

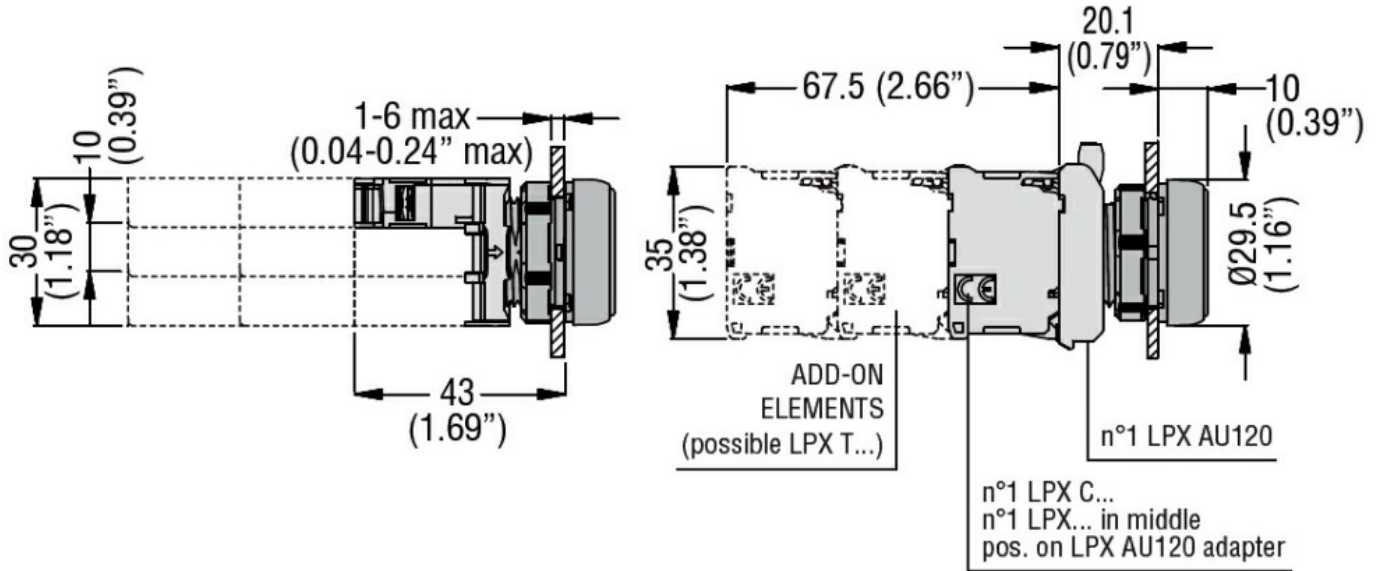
Operating temperature

min	°C	-25
max	°C	+70

Storage temperature

min	°C	-40
max	°C	+85

Dimensions



Wiring diagrams



Certifications and compliance

Compliance

- CSA C22.2 n° 14
- IEC/EN/BS 60947-1
- IEC/EN/BS 60947-5-1
- UL508

Certificates

- CCC
- cULus
- EAC
- RINA
- UL

ETIM classification

ETIM 8.0

EC000041 -
 Auxiliary contact
 block