



Padlockable protection, Ø5-8mm locks or buttons LPC B66/B67/B68/BL664...; for LPC B634... Ø5-6mm/0.2-0.24" locks only
LPXAU158

Product designation

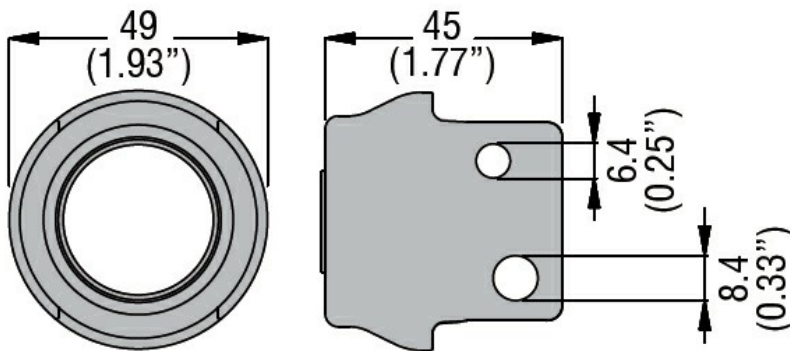
Product type designation

Mechanical features

Weight

g 5

Dimensions



Certifications and compliance

Compliance

/

Certificates

/

ETIM classification

ETIM 8.0

EC002498 - Accessories/spare parts for low-voltage switch technology