



Rubber boot for double and triple-touch buttons, transparent LPXAU157

Product designation

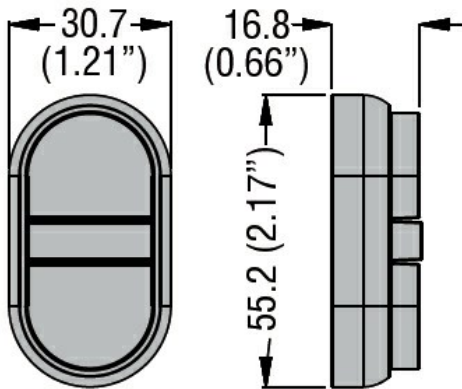
Product type designation

**Mechanical features**

Weight

g 7

**Dimensions**



**Certifications and compliance**

Compliance

/

Certificates

/

**ETIM classification**

ETIM 8.0

EC002040 - Protective cap for command devices