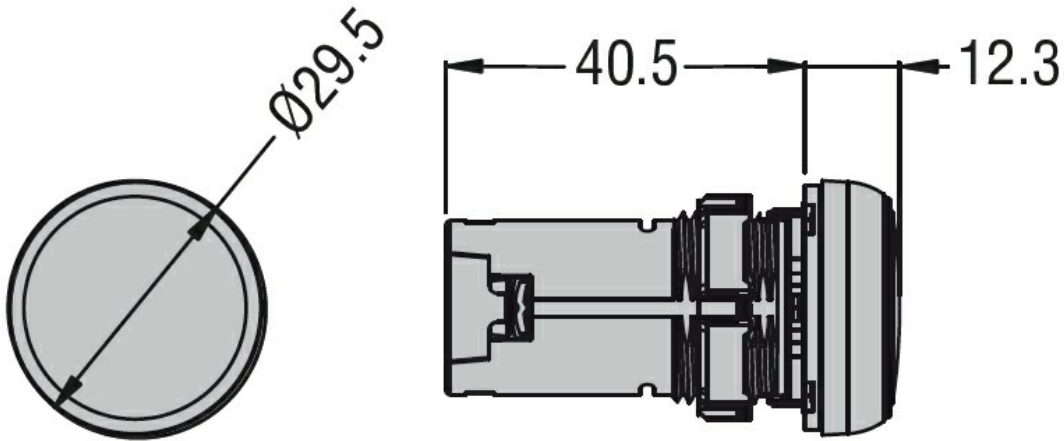
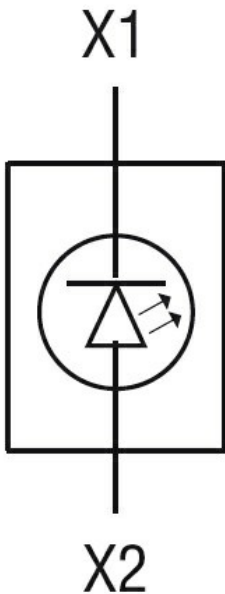




Product designation	LED integrated monoblock pilot lights steady light LPML		
Product type designation	LPML		
<b>General characteristics</b>			
Colour	Transparent		
Material	Polyamide		
IEC degree of protection	IP66, IP67 and IP69K on front; IP20 on rear		
<b>Electrical characteristics</b>			
Rated frequency	Hz	50-60	
Supply voltage (AC)	V	230 (-15% ... +10% Ue)	
<b>Operations</b>			
Electrical life	hours	>30000	
<b>Mechanical features</b>			
Tightening torque for terminals max	Nm	0.8	
Terminals screw	Screw termination		
Conductor section	AWG/kcmil conductor section		
	min	18	
	max	16	
	IEC		
	max	mm <sup>2</sup>	2.5
Fixing	Ring fixing Ø22mm		
Weight	g	24	
<b>UL technical data</b>			
UL degree of protection	Type1, 2, 3R, 4, 4X, 12, 12K on front		
<b>Ambient conditions</b>			
Temperature	Operating temperature		
	min	°C	-25
	max	°C	+70
<b>Dimensions</b>			



### Wiring diagrams



### Certifications and compliance

#### Compliance

CSA C22.2 n° 14  
IEC/EN/BS 60947-1  
IEC/EN/BS 60947-5-1  
UL508

#### Certificates

cULus  
EAC

### ETIM classification

ETIM 8.0

EC000272 -  
Indicator light  
complete