



LED integrated monoblock pilot lights steady light LPML

Product designation

Product type designation

**General characteristics**

Colour Red

Material Polyamide

IEC degree of protection IP66, IP67 and IP69K on front; IP20 on rear

**Electrical characteristics**

Rated frequency Hz 50-60

Supply voltage (AC) V 230 (-15% ... +10% Ue)

**Operations**

Electrical life hours >30000

**Mechanical features**

Tightening torque for terminals max Nm 0.8

Terminals screw Screw termination

Conductor section

AWG/kcmil conductor section

min 18

max 16

IEC

max mm<sup>2</sup> 2.5

Fixing Ring fixing Ø22mm

Weight g 24

**UL technical data**

UL degree of protection Type1, 2, 3R, 4, 4X, 12, 12K on front

**Ambient conditions**

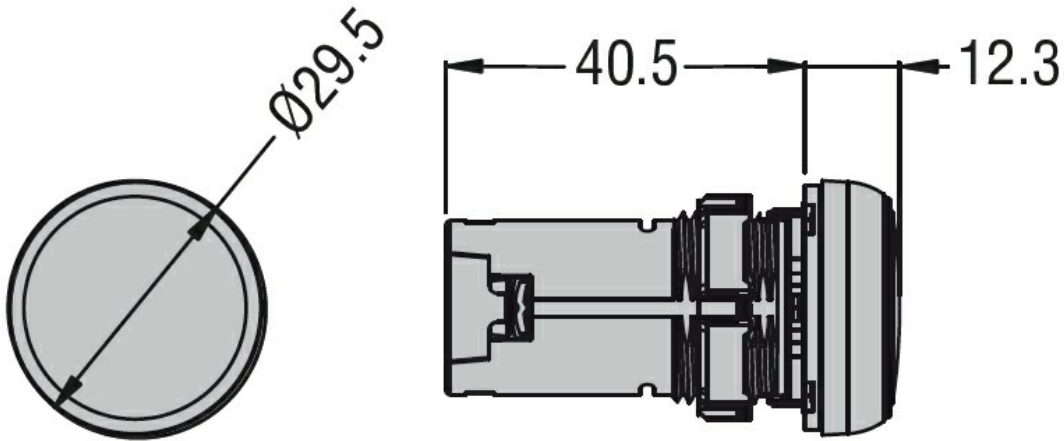
Temperature

Operating temperature

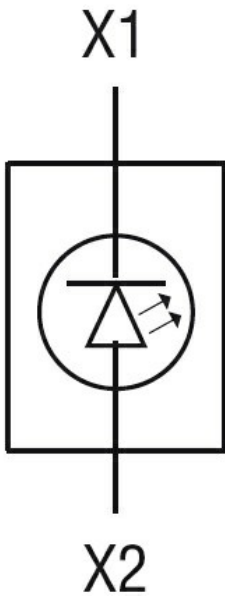
min °C -25

max °C +70

**Dimensions**



### Wiring diagrams



### Certifications and compliance

#### Compliance

CSA C22.2 n° 14  
IEC/EN/BS 60947-1  
IEC/EN/BS 60947-5-1  
UL508

#### Certificates

cULus  
EAC

### ETIM classification

ETIM 8.0

EC000272 -  
Indicator light  
complete