



Product designation	ILLUMINATED selector switch actuator - 2 position
Product type designation	LPCSL12

General characteristics

Colour	Yellow
Type of positions	0 < 1
Material	Polyamide
IEC degree of protection	IP66, IP67 and IP69K

Mechanical features

Mechanical life	cycles	1000000
Fixing		Without mounting adapter
Mounting adapter		LPXAU120
Weight	g	25

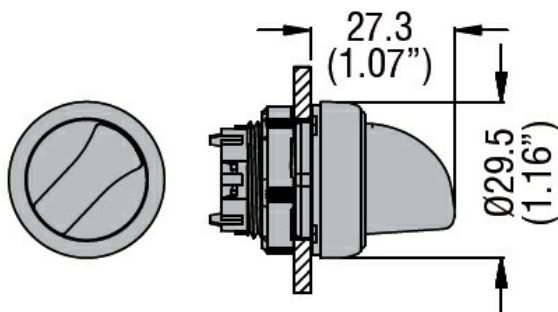
UL technical data

UL degree of protection	Type1, 2, 3R, 4, 4X, 12, 12K
-------------------------	------------------------------

Ambient conditions

Temperature				
	Operating temperature			
		min	°C	-25
		max	°C	+70
	Storage temperature			
		min	°C	-40
		max	°C	+85

Dimensions



Certifications and compliance

Compliance	CSA C22.2 n° 14
	IEC/EN/BS 60947-1
	IEC/EN/BS 60947-5-1
	UL508

Certificates

CCC

cULus

EAC

RINA

ETIM classification

ETIM 8.0

EC000222 -
Front element for
selector switch