



Product designation	ILLUMINATED selector switch actuator - 2 position LPCSL12
Product type designation	LPCSL12

**General characteristics**

Colour	Red
Type of positions	0 < 1
Material	Polyamide
IEC degree of protection	IP66, IP67 and IP69K

**Mechanical features**

Mechanical life	cycles	1000000
Fixing	Without mounting adapter	
Mounting adapter	LPXAU120	
Weight	g	25

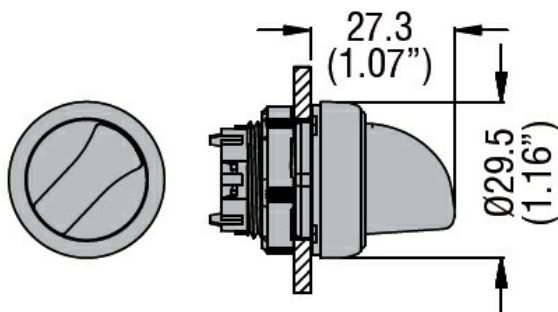
**UL technical data**

UL degree of protection	Type1, 2, 3R, 4, 4X, 12, 12K
-------------------------	------------------------------

**Ambient conditions**

Temperature	Operating temperature	min	°C	-25
		max	°C	+70
	Storage temperature	min	°C	-40
		max	°C	+85

**Dimensions**



**Certifications and compliance**

Compliance	CSA C22.2 n° 14
	IEC/EN/BS 60947-1
	IEC/EN/BS 60947-5-1
	UL508

**Certificates**

CCC

---

cULus

---

EAC

---

RINA

**ETIM classification**

ETIM 8.0

EC000222 -  
Front element for  
selector switch