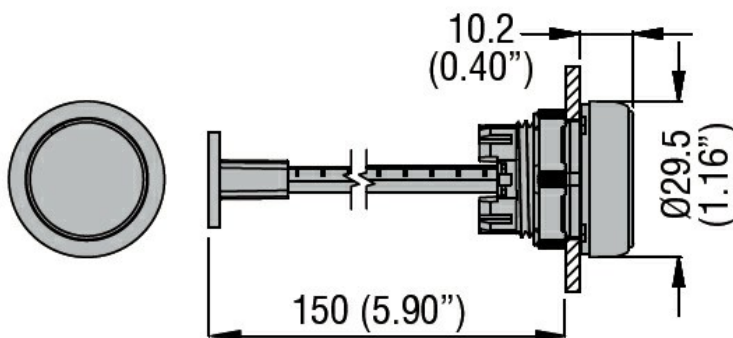




Product designation	Mechanical reset buttons, complete unit, spring return LPCR11		
Product type designation	LPCR11		
General characteristics			
Colour	Blue (RESET)		
Type of positions	Flush. Adjustable length 0...150mm/5.9in		
Material	Polyamide		
IEC degree of protection	IP66, IP67 and IP69K		
Mechanical features			
Operating force	kg-lb	<0.5Kg / 1.1lb	
Mechanical life	cycles	5000000	
Fixing	Without mounting adapter		
Mounting adapter	LPXAU120		
Weight	g	28	
UL technical data			
UL degree of protection	Type1, 2, 3R, 4, 4X, 12, 12K		
Ambient conditions			
Temperature	Operating temperature		
	min	°C	-25
	max	°C	+70
	Storage temperature		
	min	°C	-40
	max	°C	+85

Dimensions



Certifications and compliance

Compliance

CSA C22.2 n° 14

IEC/EN/BS 60947-1

IEC/EN/BS 60947-5-1

UL508

Certificates

CCC

cULus

EAC

RINA

ETIM classification

ETIM 8.0

EC000221 -
Front element for
push button