



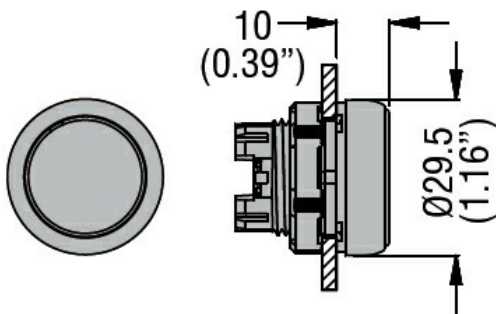
Product designation	ILLUMINATED push-push button actuators - Flush
Product type designation	LPCQL10
General characteristics	
Colour	Yellow
Type of positions	Flush. Push on-push off
Material	Polyamide
IEC degree of protection	IP66, IP67 and IP69K

Mechanical features	
Operating force	kg-lb <0.5Kg / 1.1lb
Mechanical life - spring return actuators	cycles 5000000
Mechanical life - Push-Push actuators	cycles 500000
Mechanical life - Latch actuators	cycles 300000
Mounting adapter	LPXAU120
Weight	g 25

UL technical data	
UL degree of protection	Type1, 2, 3R, 4, 4X, 12, 12K

Ambient conditions	
Temperature	
Operating temperature	min °C -25 max °C +70
Storage temperature	min °C -40 max °C +85

Dimensions



Certifications and compliance

Compliance	CSA C22.2 n° 14
	IEC/EN/BS 60947-1
	IEC/EN/BS 60947-5-1

UL508

Certificates

CCC

cULus

EAC

RINA

ETIM classification

ETIM 8.0

EC000221 -
Front element for
push button