

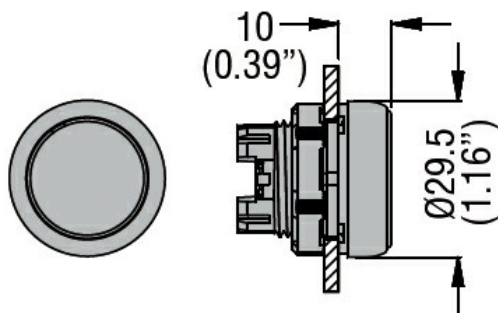


Product designation	Push-push button actuators		
Product type designation	LPCQ20		
General characteristics			
Colour	Red		
Type of positions	Extended. Push on-push off		
Material	Polyamide		
IEC degree of protection	IP66, IP67 and IP69K		
Mechanical features			
Operating force	kg-lb	<0.5Kg / 1.1lb	
Mechanical life - Push-Push actuators	cycles	500000	
Fixing	Without mounting adapter		
Mounting adapter	LPXC10A (1EM) / LPXC01 (1NC)		
Weight	g	27	

UL technical data			
UL degree of protection	Type1, 2, 3R, 4, 4X, 12, 12K		

Ambient conditions			
Temperature			
Operating temperature			
	min	°C	-25
	max	°C	+70
Storage temperature			
	min	°C	-40
	max	°C	+85

Dimensions



Certifications and compliance

Compliance	CSA C22.2 n° 14
	IEC/EN/BS 60947-1
	IEC/EN/BS 60947-5-1

Certificates	UL508
	CCC
	cULus
	EAC
	RINA

ETIM classification

ETIM 8.0	EC000221 - Front element for push button
----------	--