

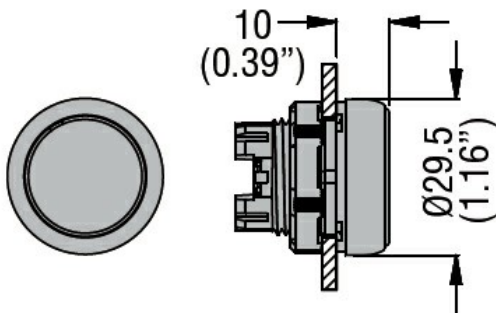


| | | |
|---------------------------------------|------------------------------|----------------|
| Product designation | Push-push button actuators | |
| Product type designation | LPCQ20 | |
| General characteristics | | |
| Colour | Green | |
| Type of positions | Extended. Push on-push off | |
| Material | Polyamide | |
| IEC degree of protection | IP66, IP67 and IP69K | |
| Mechanical features | | |
| Operating force | kg-lb | <0.5Kg / 1.1lb |
| Mechanical life - Push-Push actuators | cycles | 500000 |
| Fixing | Without mounting adapter | |
| Mounting adapter | LPXC10A (1EM) / LPXC01 (1NC) | |
| Weight | g | 27 |

| | | |
|--------------------------|------------------------------|--|
| UL technical data | | |
| UL degree of protection | Type1, 2, 3R, 4, 4X, 12, 12K | |

| | | |
|---------------------------|-----|--------|
| Ambient conditions | | |
| Temperature | | |
| Operating temperature | | |
| | min | °C -25 |
| | max | °C +70 |
| Storage temperature | | |
| | min | °C -40 |
| | max | °C +85 |

Dimensions



Certifications and compliance

| | |
|------------|---------------------|
| Compliance | CSA C22.2 n° 14 |
| | IEC/EN/BS 60947-1 |
| | IEC/EN/BS 60947-5-1 |

| | |
|--------------|-------|
| Certificates | UL508 |
| | CCC |
| | cULus |
| | EAC |
| | RINA |

ETIM classification

| | |
|----------|--|
| ETIM 8.0 | EC000221 - Front element for push button |
|----------|--|