



|                          |                            |
|--------------------------|----------------------------|
| Product designation      | Push-push button actuators |
| Product type designation | LPCQ10                     |

**General characteristics**

|                          |                         |
|--------------------------|-------------------------|
| Colour                   | Red                     |
| Type of positions        | Flush. Push on-push off |
| Material                 | Polyamide               |
| IEC degree of protection | IP66, IP67 and IP69K    |

**Mechanical features**

|                                       |        |                              |
|---------------------------------------|--------|------------------------------|
| Operating force                       | kg-lb  | <0.5Kg / 1.1lb               |
| Mechanical life - Push-Push actuators | cycles | 500000                       |
| Fixing                                |        | Without mounting adapter     |
| Mounting adapter                      |        | LPXC10A (1EM) / LPXC01 (1NC) |
| Weight                                | g      | 25                           |

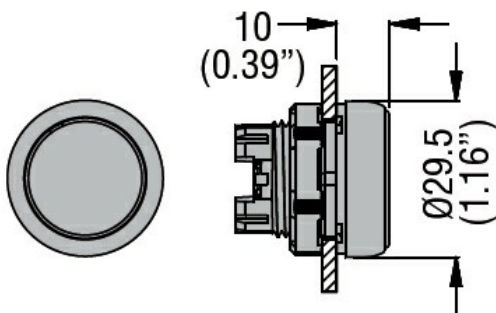
**UL technical data**

|                         |                              |
|-------------------------|------------------------------|
| UL degree of protection | Type1, 2, 3R, 4, 4X, 12, 12K |
|-------------------------|------------------------------|

**Ambient conditions**

|             |                       |     |    |     |
|-------------|-----------------------|-----|----|-----|
| Temperature | Operating temperature | min | °C | -25 |
|             |                       | max | °C | +70 |
|             | Storage temperature   | min | °C | -40 |
|             |                       | max | °C | +85 |

**Dimensions**



**Certifications and compliance**

|            |                     |
|------------|---------------------|
| Compliance | CSA C22.2 n° 14     |
|            | IEC/EN/BS 60947-1   |
|            | IEC/EN/BS 60947-5-1 |

---

UL508

---

Certificates

CCC

---

cULus

---

EAC

---

RINA

---

ETIM classification

ETIM 8.0

EC000221 -  
Front element for  
push button