



Product designation

Mushroom head
pushbutton,
Latch, turn to
release Ø
40mm/1.6"
LPCB664

Product type designation

General characteristics

Colour	Red
Material	Polyamide
IEC degree of protection	IP66, IP67 and IP69K

Mechanical features

Operating force	kg-lb	<0.5Kg / 1.1lb
Mechanical life - spring return actuators	cycles	5000000
Mechanical life - Latch actuators	cycles	300000
Mounting adapter		LPXAU120
Weight	g	79

UL technical data

UL degree of protection	Type1, 2, 3R, 4, 4X, 12, 12K
-------------------------	------------------------------

Ambient conditions

Temperature

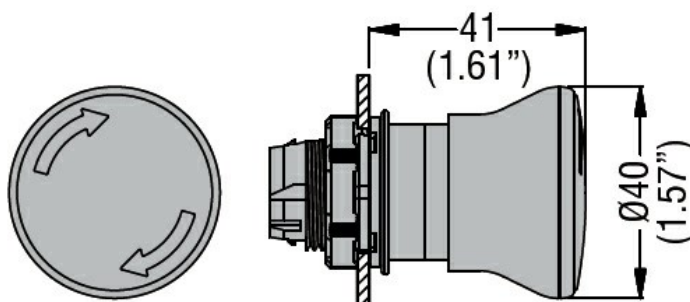
Operating temperature

min	°C	-25
max	°C	+70

Storage temperature

min	°C	-40
max	°C	+85

Dimensions



Certifications and compliance

Compliance

CSA C22.2 n° 14
IEC/EN/BS 60947-1
IEC/EN/BS 60947-5-1
UL508

Certificates

MUSHROOM HEAD PUSHBUTTON ACTUATOR Ø22MM PLATINUM SERIES CHROMED PLASTIC, LATCH, TURN TO RELEASE, Ø40MM. FOR EMERGENCY STOPPING. ISO 13850. RED

CCC

cULus

EAC

RINA

UL

ETIM classification

ETIM 8.0

EC001038 -
Front element for
mushroom push-
button