



Product designation	Selector switch actuators Key - 3 position
Product type designation	8LM2TS3

**General characteristics**

Type of positions	Key extraction
Material	Aluminium and zinc alloy
IEC degree of protection	IP65

**Mechanical features**

Mechanical life	cycles	300000
Mounting adapter		LM2TAU120
Weight	g	80

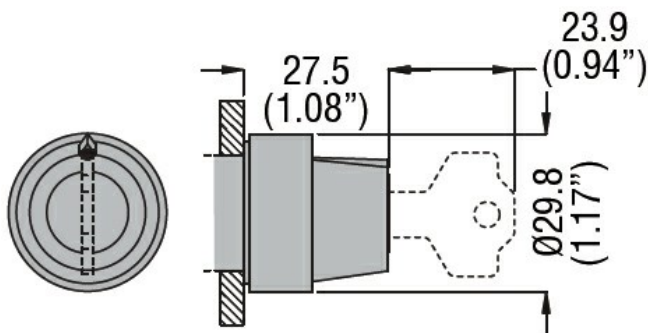
**UL technical data**

UL degree of protection	Type 1, 2, 3R, 4, 4X, 12, 12K
-------------------------	-------------------------------

**Ambient conditions**

Temperature			
	Operating temperature	min	°C -25
		max	°C +60
	Storage temperature	min	°C -40
		max	°C +70

**Dimensions**



**Certifications and compliance**

Compliance	CSA C22.2 n° 14
	IEC/EN 60947-1
	IEC/EN 60947-5-1
	UL508

Certificates	CCC
	cULus
	EAC

---

LROS

---

RINA

ETIM classification

ETIM 8.0

EC000222 -  
Front element for  
selector switch