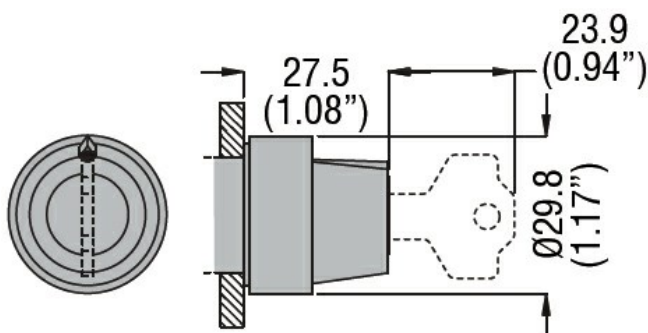




Product designation	Selector switch actuators Key - 2 position		
Product type designation	8LM2TS3		
<b>General characteristics</b>			
Type of positions	Key extraction		
Material	Aluminium and zinc alloy		
IEC degree of protection	IP65		
<b>Mechanical features</b>			
Mechanical life	cycles	300000	
Mounting adapter	LM2TAU120		
Weight	g	79	
<b>UL technical data</b>			
UL degree of protection	Type 1, 2, 3R, 4, 4X, 12, 12K		
<b>Ambient conditions</b>			
Temperature			
Operating temperature		min	°C -25
		max	°C +60
Storage temperature		min	°C -40
		max	°C +70

**Dimensions**



**Certifications and compliance**

Compliance

CSA C22.2 n° 14  
IEC/EN 60947-1  
IEC/EN 60947-5-1  
UL508

Certificates

CCC  
cULus  
EAC

---

LROS

---

RINA

ETIM classification

ETIM 8.0

EC000222 -  
Front element for  
selector switch