



Product designation	Selector switch actuators Key - 2 position
Product type designation	8LM2TS3

General characteristics

Type of positions	Key extraction
Material	Aluminium and zinc alloy
IEC degree of protection	IP65

Mechanical features

Mechanical life	cycles	300000
Mounting adapter		LM2TAU120
Weight	g	79

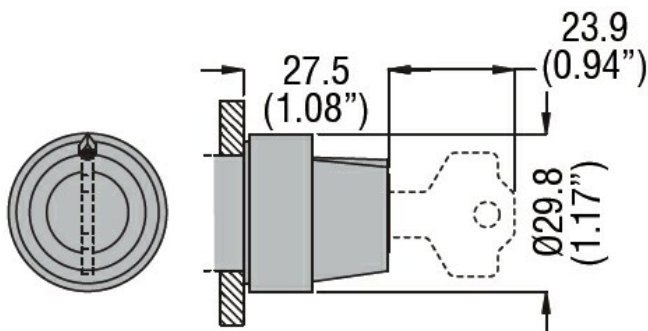
UL technical data

UL degree of protection	Type 1, 2, 3R, 4, 4X, 12, 12K
-------------------------	-------------------------------

Ambient conditions

Temperature			
	Operating temperature		
		min	°C -25
		max	°C +60
	Storage temperature		
		min	°C -40
		max	°C +70

Dimensions



Certifications and compliance

Compliance	CSA C22.2 n° 14
	IEC/EN 60947-1
	IEC/EN 60947-5-1
	UL508

Certificates	CCC
	cULus
	EAC

LROS

RINA

ETIM classification

ETIM 8.0

EC000222 -
Front element for
selector switch