



Product designation

Mushroom head pushbutton actuators - LATCH, TURN TO RELEASE. Ø40mm/1.6" For normal stopping 8LM2TB634

Product type designation

**General characteristics**

Colour	Red
Material	Aluminium and zinc alloy
IEC degree of protection	IP66

**Mechanical features**

Operating force	kg-lb	0.8kg/1.7lb
Mechanical life - spring return actuators	cycles	1000000
Mechanical life - Latch actuators	cycles	300000
Mounting adapter		LM2TAU120
Weight	g	54

**UL technical data**

UL degree of protection	Type 1, 2, 3R, 4, 4X, 12, 12K
-------------------------	-------------------------------

**Ambient conditions**

Temperature

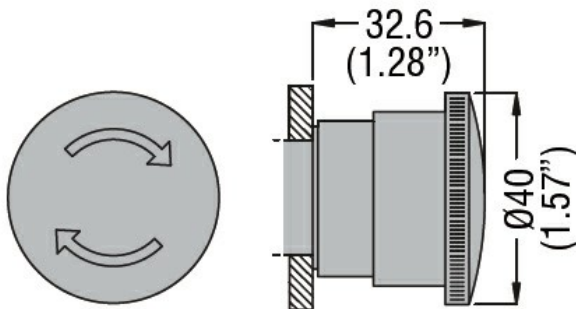
Operating temperature

min	°C	-25
max	°C	+60

Storage temperature

min	°C	-40
max	°C	+70

**Dimensions**



**Certifications and compliance**

Compliance

CSA C22.2 n° 14  
IEC/EN 60947-1

---

IEC/EN 60947-5-1

---

UL508

---

Certificates

CCC

---

cULus

---

EAC

---

LROS

---

RINA

---

ETIM classification

ETIM 8.0

EC002034 -  
Emergency stop  
complete