



Mushroom head
pushbutton
actuators -
SPRING
RETURN.
Ø60mm/2.4"
8LM2TB616

Product designation

Product type designation

General characteristics

Colour	Red
Material	Aluminium and zinc alloy
IEC degree of protection	IP66

Mechanical features

Operating force	kg-lb	0.8kg/1.7lb
Mechanical life - spring return actuators	cycles	1000000
Mechanical life - Latch actuators	cycles	300000
Mounting adapter		LM2TAU120
Weight	g	43

UL technical data

UL degree of protection	Type 1, 2, 3R, 12, 12K
-------------------------	------------------------

Ambient conditions

Temperature

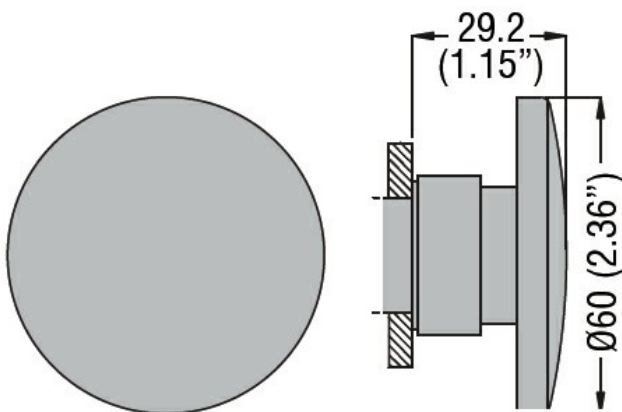
Operating temperature

min	°C	-25
max	°C	+60

Storage temperature

min	°C	-40
max	°C	+70

Dimensions



Certifications and compliance

Compliance

CSA C22.2 n° 14

IEC/EN 60947-1

IEC/EN 60947-5-1

UL508

Certificates

CCC

cULus

EAC

LROS

RINA

ETIM classification

ETIM 8.0

EC002034 -
Emergency stop
complete