



Product designation	Pushbutton actuators, spring return - Flush
Product type designation	8LM2TB105

**General characteristics**

Colour	Yellow
Material	Aluminium and zinc alloy
IEC degree of protection	IP65

**Mechanical features**

Operating force	kg-lb	0.8kg/1.7lb
Mechanical life - spring return actuators	cycles	1000000
Mechanical life - Push-Push actuators	cycles	500000
Mounting adapter		LM2TAU120
Weight	g	33

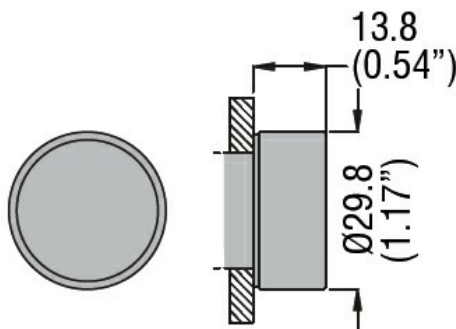
**UL technical data**

UL degree of protection	1, 2, 3R, 4, 4X, 12K
-------------------------	----------------------

**Ambient conditions**

Temperature	Operating temperature	min	°C	-25
		max	°C	+60
	Storage temperature	min	°C	-40
		max	°C	+70

**Dimensions**



**Certifications and compliance**

Compliance	CSA C22.2 n° 14
	IEC/EN 60947-1
	IEC/EN 60947-5-1
	UL508
Certificates	CCC

---

cULus

---

EAC

---

LROS

---

RINA

**ETIM classification**

ETIM 8.0

EC000221 -  
Front element for  
push button