



Signal beacons
Ø62mm/2.44"
8LB6GL

Product designation

Product type designation

General characteristics

| | | |
|--------------------------|-----------|-----------|
| Diameter | mm - inch | 62 / 2.44 |
| Supply voltage (AC) | V | 12...48 |
| Supply voltage (DC) | V | 12...48 |
| Colour | | Blue |
| IEC degree of protection | | IP54 |

Mechanical features

| | | |
|-------------------------------------|----|-----------------------|
| Tightening torque for terminals max | Nm | 0.5 |
| Terminals screw | | Screw clamp terminals |

Conductor section

| | | | |
|-----------|-----|-----------------|-----|
| AWG/Kcmil | max | | 16 |
| IEC | max | mm ² | 1.5 |
| | | g | 60 |

Weight

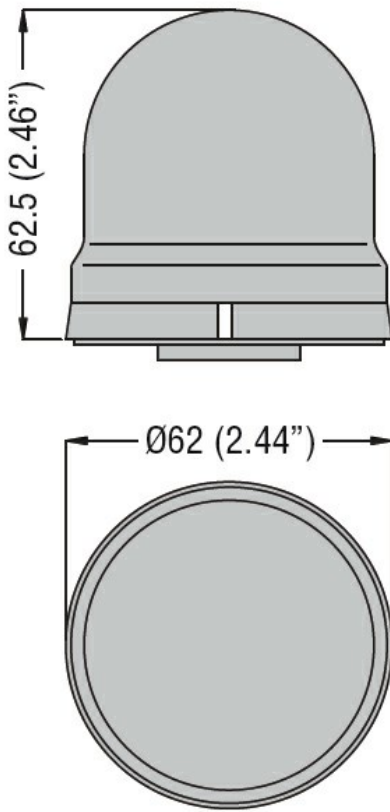
Ambient conditions

Temperature

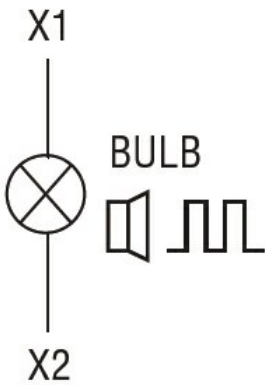
Operating temperature

| | | |
|-----|----|-----|
| min | °C | -20 |
| max | °C | +50 |

Dimensions



Wiring diagrams



Certifications and compliance

Compliance

IEC/EN 60947-1
 IEC/EN 60947-5-1

Certificates

EAC

ETIM classification

ETIM 8.0

EC000232 -
 Optical module
 for signal tower