



Signal beacons
Ø62mm/2.44"
8LB6GL

Product designation

Product type designation

General characteristics

Diameter	mm - inch	62 / 2.44
Supply voltage (AC)	V	12...48
Supply voltage (DC)	V	12...48
Colour		Yellow
IEC degree of protection		IP54

Mechanical features

Tightening torque for terminals max	Nm	0.5
Terminals screw		Screw clamp terminals

Conductor section

AWG/Kcmil	max		16
IEC	max	mm ²	1.5
		g	60

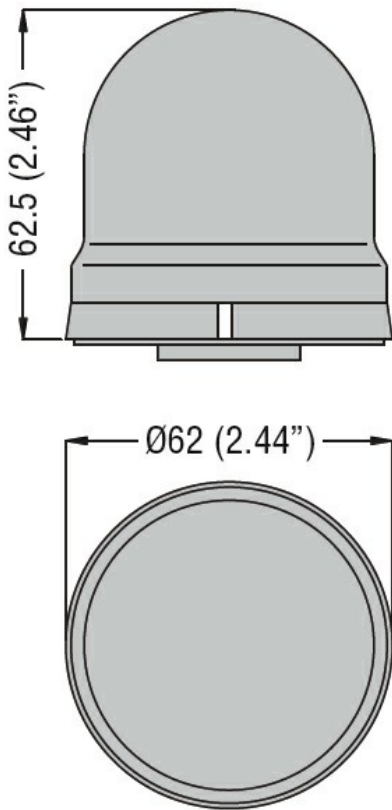
Weight

Ambient conditions

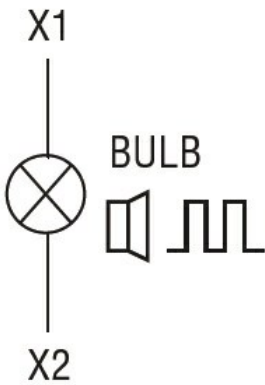
Temperature

Operating temperature	min	°C	-20
	max	°C	+50

Dimensions



Wiring diagrams



Certifications and compliance

Compliance

IEC/EN 60947-1
IEC/EN 60947-5-1

Certificates

EAC

ETIM classification

ETIM 8.0

EC000232 -
Optical module
for signal tower