



Signal beacons  
Ø62mm/2.44"  
8LB6EL

Product designation

Product type designation

**General characteristics**

Diameter mm - inch 62 / 2.44

Colour Orange

IEC degree of protection IP54

**Mechanical features**

Tightening torque for terminals max Nm 0.5

Terminals screw Screw clamp terminals

Conductor section

AWG/Kcmil

max 16

IEC

max mm<sup>2</sup> 1.5

Weight g 60

**Ambient conditions**

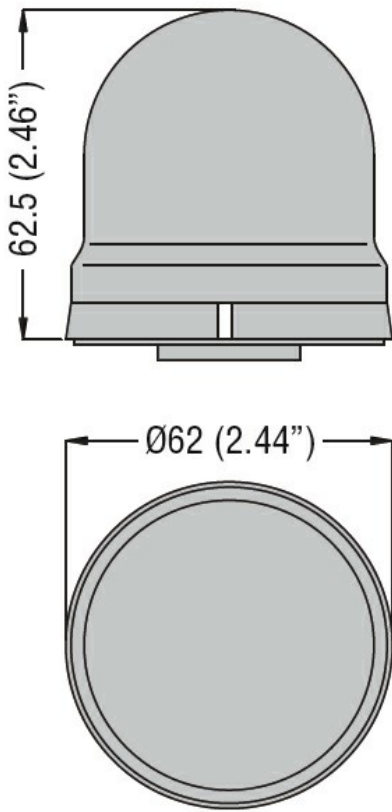
Temperature

Operating temperature

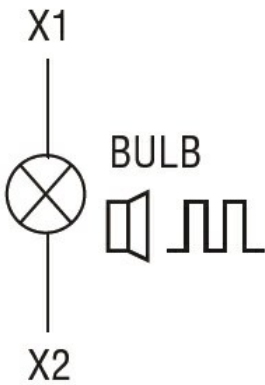
min °C -20

max °C +50

**Dimensions**



Wiring diagrams



Certifications and compliance

Compliance

IEC/EN 60947-1  
 IEC/EN 60947-5-1

Certificates

EAC

ETIM classification

ETIM 8.0

EC000232 -  
 Optical module  
 for signal tower