



Product designation

Fixing bases for  
light signal  
beacons  
Ø62mm/2.44"  
8LB6BP05

Product type designation

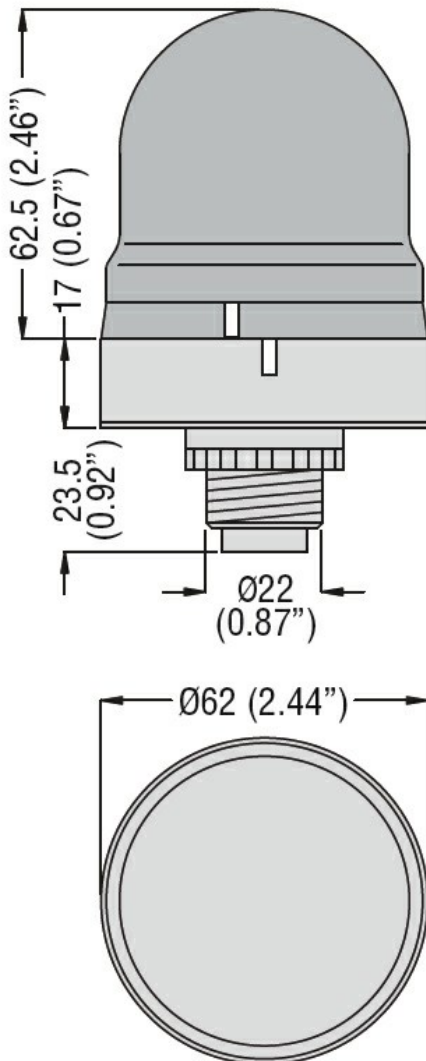
**General characteristics**

Diameter	mm - inch	62 / 2.44
Colour		Black
Material		Plastic

**Mechanical features**

Weight	g	40
--------	---	----

**Dimensions**



**Certifications and compliance**

Compliance

/

---

Certificates

/

---

ETIM classification

ETIM 8.0

EC001154 -  
Stand for signal  
tower without  
tube