

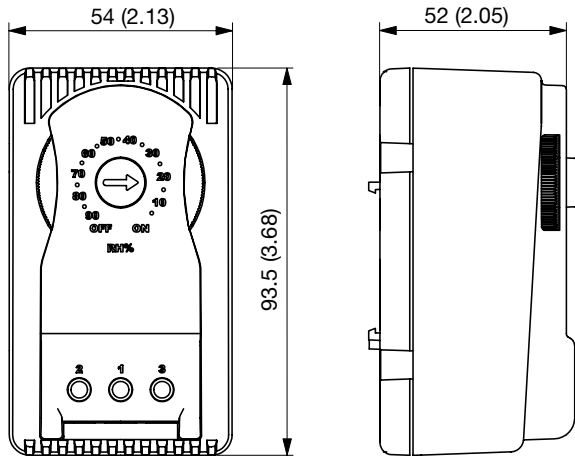


Fandis mechanical hygrostat switches on electrical enclosure heaters or filter fans when a preset relative humidity (RH) is exceeded. The relative humidity is kept above the dew point and the condensation of water on electrical components and the corrosion of unprotected sheet metal is prevented.

Technical data		
APPROVALS		
Approvals	CE; cURus	
ELECTRICAL DATA		
Rated Voltage	120-240	V a.c.
Rated Current	10-5	A
GENERIC DATA		
Accuracy	±5	% RH
RAL Number	7035	
Setting Range	10-90	% RH
Electrical Connection	Terminal Block	
Wires Section	1-4 18-12	mm ² AWG
ENVIRONMENTAL AND THERMAL DATA		
IP Protection Degree	IP20	
UL DATA		
UL File Number Recognized Component	E247491	

Image is for illustrative purpose only. All specifications, data and drawing are subject to change without notice. Please refer to our terms of sales including our warranty and limited liabilities clauses.

Technical drawing mm (in)



Wiring Diagram

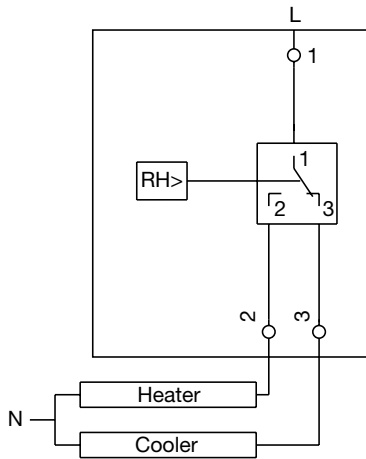


Image is for illustrative purpose only. All specifications, data and drawing are subject to change without notice. Please refer to our terms of sales including our warranty and limited liabilities clauses.