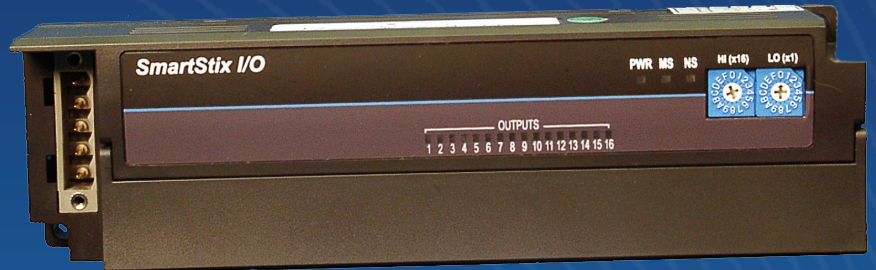
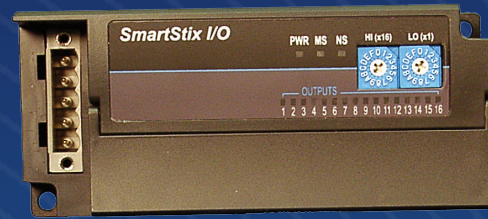


SmartStix I/O

Terminal-block style I/O for Operator Control Stations (OCS)

Cost-effective option as expansion or remote I/O - connects to any OCS CsCAN network port



Local or Remote

Short-Circuit Protection (ESCP)

Removable Terminals

Compact, DIN-rail mounted

Easily Expands I/O Capacity

Easy Setup

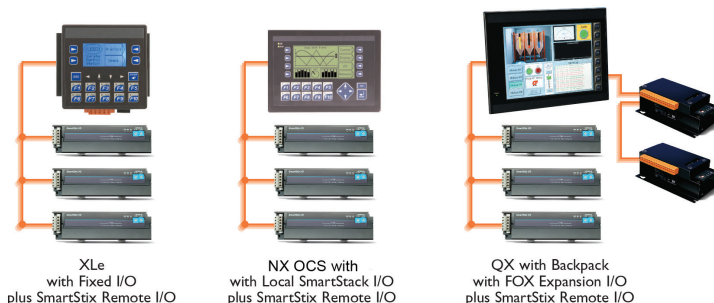
Small Footprint, Powerful Expandability

SmartStix I/O is extremely compact, providing 16 and 32 point digital I/O in a package only 1.5" (39mm) deep and a footprint of 2"H x 4.5"W (50 x 116mm) or 2"H x 7"W (50 x 177mm). With its small footprint, SmartStix I/O takes up very little panel space whether located in the main control panel or tucked away in a remote location. SmartStix I/O has a barrier style terminal strip and can be mounted on a DIN-rail.

Expands the I/O capacity of any OCS utilizing the CsCAN network port available with every model. SmartStix I/O offers fast response times without sacrificing robustness, with no need for a costly I/O interface unit. In addition to its peer-to-peer capabilities, CsCAN is used as a highly efficient method of distributing SmartStix I/O up to 6000 ft* away.

Easy to Set Up—Easy to Configure

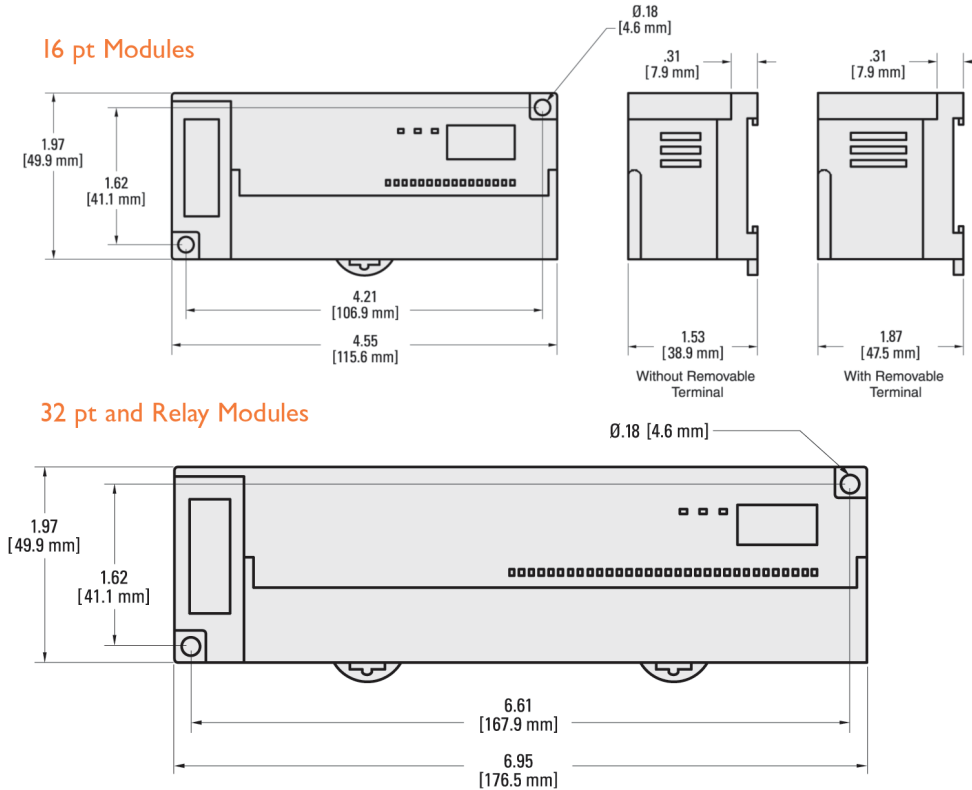
Time and complexity to configure most remote I/O systems is a drawback SmartStix I/O greatly reduces setup time. Just assign a unique ID to the I/O module using the integrated rotary switches, connect a 5-wire shielded cable, and configure the CsCAN I/O scanner in your Cscape control program.



* Maximum distance is 1500 ft per segment, with up to 6000 ft possible using repeaters.

SmartStix I/O Specifications & Dimensions

Bus protocol	CsCAN (Control Station ControllerArea Network)
Bus connector	5-position terminal strip
Maximum distance	1500 ft (500m) per segment; 4 segments max
Maximum number of nodes	252 + OCS Controller
Module Configuration Method	Module ID set using two rotary switches
LED Indication	I/O status (one per point); power,module status, network status
Output Protection	Electronic Short-Circuit Protection (16 and 32 Output modules only)
Product Certifications	CE, UL (digital only)



SmartStix I/O Part Numbers

DIGITAL	Removable Terminal	Description
	HE559DIM610	16 DC Inputs (24vdc, pos/neg logic)
	HE559DIM710	32 DC Inputs (24vdc, pos/neg logic)
	HE559DQM601	16 DC Outputs (24vdc, neg logic, 0.5A)
	HE559DQM606	16 DC Outputs (24vdc, pos logic, 0.5A)
	HE559DQM701	32 DC Outputs (24vdc, neg logic, 0.5A)
	HE559DQM706	32 DC Outputs (24vdc, pos logic, 0.5A)
	HE559DQM602	16 Relay Outputs (250vac, 30vdc, 2.0A)
	HE559DIQ811	16 DC Inputs (24vdc, pos/neg logic) and 16 DC Outputs (24vdc, neg logic, 0.5A)
HE559DIQ816	16 DC Inputs (24vdc, pos/neg logic) and 16 DC Outputs (24vdc, pos logic, 0.5A)	

ANALOG	Removable Terminal	Description
	HE559ADC970	12 channel Analog Inputs (current and voltage)
	HE559MIX977	8 channel In/4 channel Out (current and voltage)
	HE559MIX577	4 channel In/2 channel Out (current and voltage)

