



QX Series Models:

- HE-QX451/HE-QX451-16/HEQX451C000/HEQX451C103/HEQX451C105 - 8" display models
 - HE-QX551/HE-QX551-16/HEQX551C000/HEQX551C103/HEQX551C105 - 10" display models
 - HE-QX651/HE-QX651-16/HEQX651C000/HEQX651C103/HEQX651C105 - 12" display models
- HE-BP41/HE-BP43 – Back Pack Modules**

1 INTRODUCTION

QX OCS provides:

- Powerful Standard Features in one unit including
 - ✓ Controller
 - ✓ Network
 - ✓ I/O
 - ✓ Operator Interface
 - ✓ Highly Visual Display Screen
- Optional Back Pack adds comprehensive I/O and communication capabilities.

Table 1 – Features of QX Base Models and Back Pack Options

| Standard Features on QX Bases | | | | Features on Back Pack (BP) Options | |
|--|----------------------------|-----------------------------------|--|---|---|
| QX Base Model | Network | Screen Type | Standard QX Features | HE-BP41 | HE-BP43 |
| HE-QX451 | On-Board Ethernet 100BaseT | 8.4" TFT SVGA with 32,768 colors | CompactFlash 3 Serial Ports | FOX CsCAN | FOX CsCAN |
| HE-QX551 | | 10.4" TFT SVGA with 32,768 colors | Ethernet | Up to 2 Plastic SmartStack Modules (for additional I/O) | Up to 4 Plastic SmartStack Modules (for additional I/O) |
| HE-QX651 | | 12.1" TFT SVGA with 32,768 colors | | | High Speed I/O |
| Other Products Commonly Used with Color QX (Back Pack Options Required) | | | | | |
| Plastic SmartStack Modules | | | Provide a wide variety of I/O options for the QX. Require little space and are easy to install. | | |
| Fiber Optic Extension System (FOX104 / 404) | | | Extends a high-speed QX backplane enabling SmartStack I/O Modules to be mounted several meters from the QX. The FOX, also, significantly increases the number of SmartStack I/O modules supported by one QX. | | |
| SmartStix Modules | | | Is a family of remote I/O products for the QX. | | |

2 Specifications / Product Descriptions

Table 2 - QX Base Specifications

| Base Models | QX451 (8-inch) (SVGA) | QX551 10-inch) (SVGA) | QX651 (12-inch) (SVGA) |
|-----------------------------------|--|------------------------------|------------------------------|
| Display Type (LCD with backlight) | 800 x 600 TFT | 800 x 600 TFT | 800 x 600 TFT |
| Display Size | 8.4" | 10.4" | 12.1" |
| Display Screen Dimensions | 6.7"W x 5"H (170 x 128 mm) | 8.3"W x 6.2"H (211 x 159 mm) | 9.7"W x 7.3"H (246 x 185 mm) |
| Display Memory | 8 MBytes | | |
| User Keys | 7 configurable keys + System Key | | |
| Screens Supported | 1,023 screens (300 objects per screen) | | |
| Number of Colors | 32,768 | | |

| Base Models | QX451 (8-inch) | QX551 10-inch) | QX651 (12-inch) |
|--|---|--|--|
| Primary Power | Voltage: 24 VDC (+/-10%) Steady State Current: 0.625 A @ 24 VDC Inrush Current: (25 A @ 24 VDC) for 0.7 ms | Voltage: 24 VDC (+/-10%) Steady State Current: 1.25 A @ 24 VDC Inrush Current: (30 A @ 24 VDC) for 1 ms | Voltage: 24 VDC (+/-10%) Steady State Current: 1.25 A @ 24 VDC Inrush Current: (30 A @ 24 VDC) for 1 ms |
| QX Dimensions (without Back Pack option or SmartStack I/O attached). See Panel Cut-outs and Dimensions for complete details (Section 3.2) | | | |
| Base Models | QX451 (8-inch) | QX551 10-inch) | QX651 (12-inch) |
| Height | 7.0" (178 mm) | 9.09" (230.9 mm) | 10.25" (260.4 mm) |
| Width | 9.17" (233 mm) | 11.95" (303.5 mm) | 12.87" (326.9 mm) |
| Mounting Depth | 2.35" (59.70 mm) | 2.52" (64 mm) | 2.52" (64 mm) |
| Keypad Material | Faceplate made of Lexan® HP92 by GE Plastics. The material is resistant to most corrosive substances found in industrial environments. The material also holds up well in most industrial conditions. | | |
| Serial Ports | 3 RS-232 / RS-485 Ports. Software Selectable. | | |
| Network Options | On-board Ethernet 100BaseT | | |
| Control Memory | 256K Ladder Memory plus 32KB Register Space | | |
| Control Scan Rate | 0.2mS / K Ladder Logic (typical) | | |
| Portable Memory | Compact FLASH (CF) slot | | |
| Temperature & Humidity | 32 - 122°F (0 - 50°C), 5 to 95% Non-condensing | | |
| UL | Please refer to Compliance Table located at http://www.heapg.com/Pages/TechSupport/ProductCert.html | | |
| CE | | | |

If using a Back Pack Option (BP41 or BP43), refer the following specifications.

Table 3 – Back Pack Specifications

| | BP41 | BP43 |
|--|---|---|
| I/O Interfaces | Plastic SmartStack I/O – 2 modules maximum Fiber Optic Expansion (FOX) I/O – 5 bases maximum CsCAN Network Port – 252 SmartStix I/O maximum | Plastic SmartStack I/O – 4 modules maximum Fiber Optic Expansion (FOX) I/O – 5 bases maximum CsCAN Network Port – 252 SmartStix I/O maximum |
| Built-in High Speed Counter / PWM | No | Yes - >1MHz max TTL or 24vdc level |
| Built-in PWM Outputs | No | Yes TTL or 24vdc level |
| LEDs | 3 LEDs (CAN, FIBER OK and OK) | 3 LEDs (CAN, FIBER OK and OK) |
| Temperature & Humidity | 32 - 122°F (0 - 50°C), 5 to 95% Non-condensing | |
| UL | Please refer to Compliance Table located at http://www.heapg.com/Pages/TechSupport/ProductCert.html | |
| CE | | |

3 INSTALLATION

Note: Prior to mounting, observe requirements for the panel layout design and adequate clearances in the **QX Hardware Manual** (MAN0798). A handy checklist is provided in the *Installation* chapter.

3.1 Installation Procedures

a. QX Base Installation

1. Per specifications of the QX model you are using, carefully prepare the panel cutout. Make sure the corners of the cutout are square and free from burrs. (Locate the panel cut-outs and dimensions that pertain to your QX model as shown in this document.)
2. Cut the host panel
3. Insert the QX (base unit only) through the panel cutout from the front. The gasket material needs to lie between the host panel and the QX.
Caution: Do not force the QX into the panel cutout. An incorrectly sized panel cutout damages the QX screen.
4. Install and tighten the mounting clips (provided with the QX) until the gasket material forms a tight seal.
Caution: Do not over-tighten. Over-tightening damages the case.
5. If used, install the Back Pack (BP) option. (Refer to Item b in this section for details.)

Note (Backpack sold separately in North America Only): QX units are shipped with firmware that requires a Backpack for proper boot up to complete. If a Backpack is not to be used, a QX firmware update from Cscape must be performed for proper operation.

6. Connect cables as needed such as communications, programming, power and fiber optic cables to the QX ports using the provided connectors.
7. As a final step before using, carefully remove the protective, plastic sheet from the front of the unit. The protective, transparent sheet is used to protect the display window.
8. Begin configuration procedures for the QX.

b. Back Pack (BP) Installation (Backpack sold separately in North America Only)

Note: QX Bases are not shipped with firmware that is compatible with the Back Pack option. A firmware update is performed as part of the BP installation procedure in this section.

1. Remove the clear plastic label on the unit.
2. Push the BP into place on the QX Base.
3. Insert and tighten the 3 screws.
Caution: Do not over-tighten. Over-tightening damages the case.
4. If installing BP Rev G and beyond use spacer CAB000023 as shown in the Figure 1 for the screw closest to the BP connector

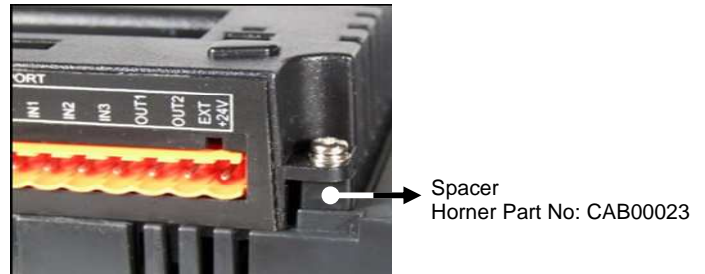


Figure 1 – BP Rev G Spacer Installation

3.2 Panel Cut-Out and Dimensions

3.2.1 QX451 (8-inch)

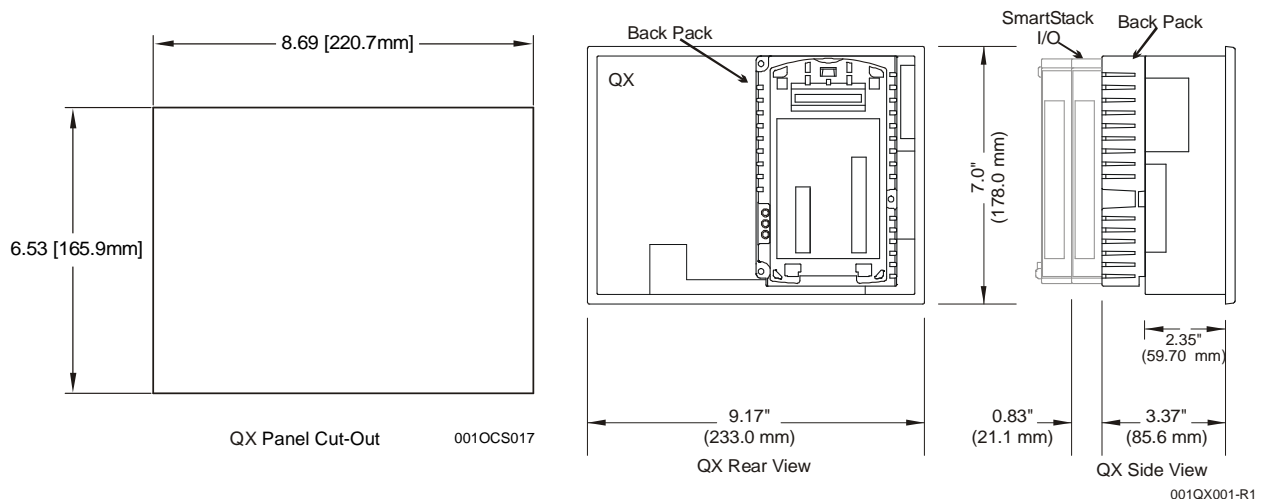


Figure 2 – Panel Cut-out and Dimensions 8-inch

3.2.2 QX551 (10-inch)

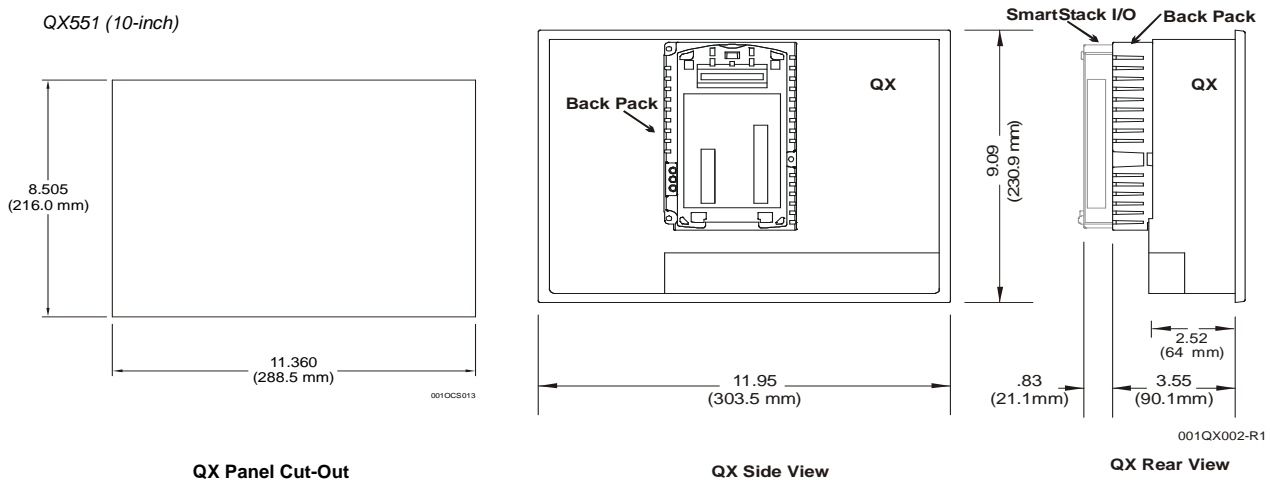


Figure 3 – Panel Cut-out and Dimensions 10-inch

3.2.2 QX651 (12-inch)

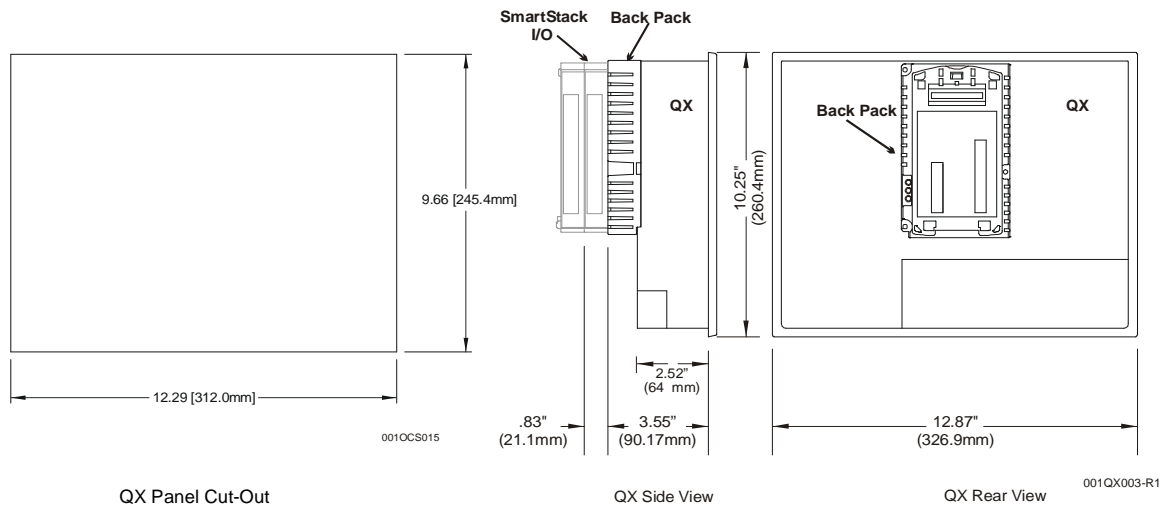


Figure 4 – Panel Cut-out and Dimensions 12-inch

3.3 QX Base Ports and Connectors

The QX base has power, network, programming and fiber optic ports. Three RS-232 and RS-485 ports are available.

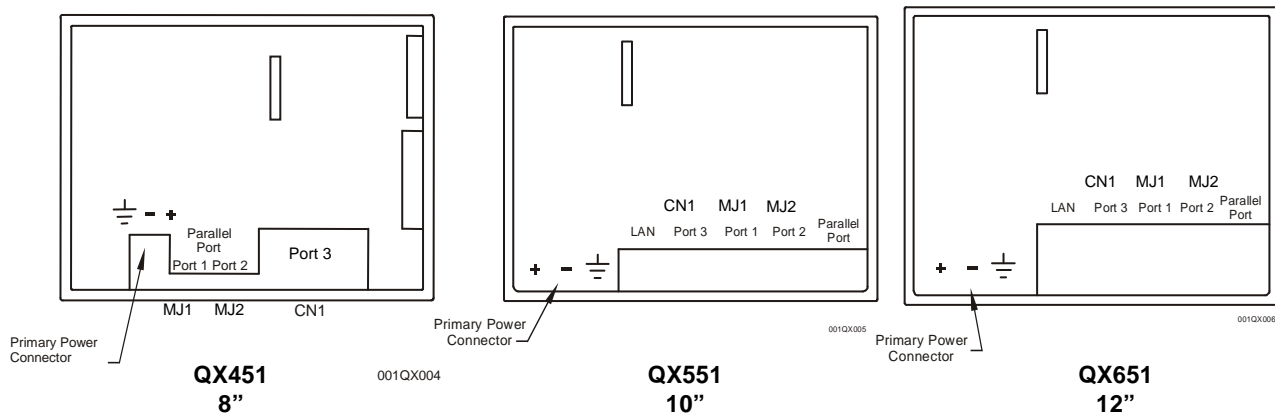
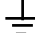


Figure 5 – QX Base Ports and Connectors

3.3.1 Primary Power Port / Grounding

| Signal Pin | Description |
|---|----------------------------|
| V+ | Input power supply voltage |
| V- | Input power supply ground |
|  | Frame Ground |

Note: Power Supply Voltage Range is from 24VDC ±10%.

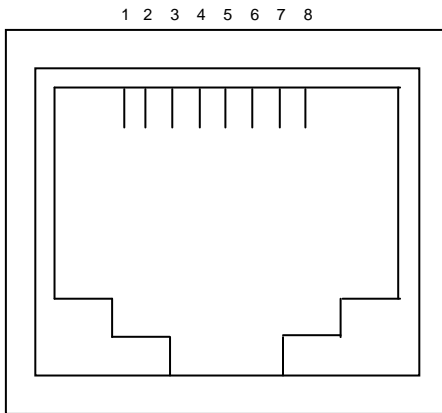
3.3.2 RS-232 Port / RS-485 Port

There are a variety of ways to connect to the RS-232 and RS-485 ports; You can use two modular jacks (MJ1 and MJ2) or the 25-pin Dsub connector (CN1).

| Functions | Port 1 (MJ1) | Port 2 (MJ2) | Port 3 (CN1) |
|----------------------------|--------------|--------------|--------------|
| RS-232 | ✓ | ✓ | ✓ |
| RS-485 | ✓ | ✓ | ✓ |
| Hardware Handshaking | | | ✓ |
| Programming | ✓ | | |
| Ladder Function Controlled | ✓ | ✓ | ✓ |
| Modem | ✓* | ✓* | ✓ |

* Not supported by Cescape Modem Function Blocks

a. Port 1 (MJ1) / Port 2 (MJ2) Modular Jacks

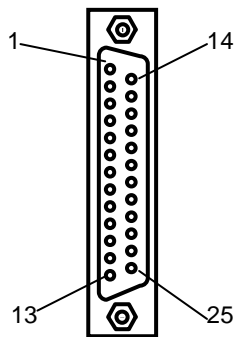


| Pin | Signal |
|-----|--------|
| 1 | +SD/RD |
| 2 | -SD/RD |
| 3 | +5V |
| 4 | +5V |
| 5 | 0V |
| 6 | 0V |
| 7 | RXD |
| 8 | TXD |

Output power supply: Max. 150mA

Figure 6 – Close-up of Port 1 (MJ1) / Port 2 (MJ2) (RS-232 and RS-485)

b. Port 3 (CN1) Connector



| Pin # | Signal | Pin # | Signal |
|-------|----------|-------|-----------------------|
| 1 | FG | 14 | QX451, 551, 651: +RTS |
| 2 | TXD | 15 | Not Used |
| 3 | RXD | 16 | Not Used |
| 4 | RTS | 17 | QX451, 551, 651: -RTS |
| 5 | CTS | 18 | -CTS |
| 6 | Not Used | 19 | +CTS |
| 7 | SG | 20 | Not Used |
| 8 | Not Used | 21 | Not Used |
| 9 | +5V | 22 | Not Used |
| 10 | 0V | 23 | Not Used |
| 11 | Not Used | 24 | +RD |
| 12 | +SD | 25 | -RD |
| 13 | -SD | | |

Figure 7 – Port 3 (CN1) RS-232 / RS-485 Connector

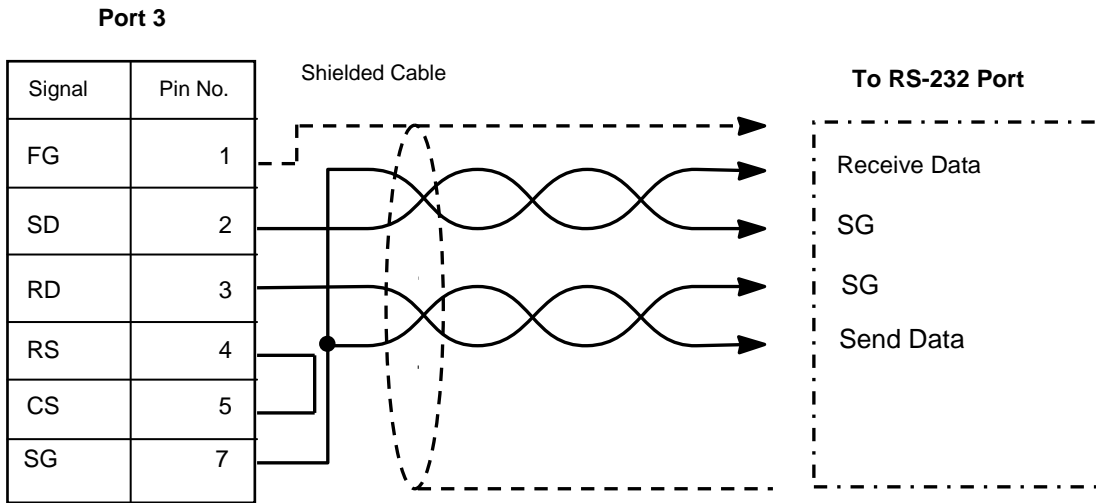


Figure 8 - Port 3 (CN1) RS-232 Port

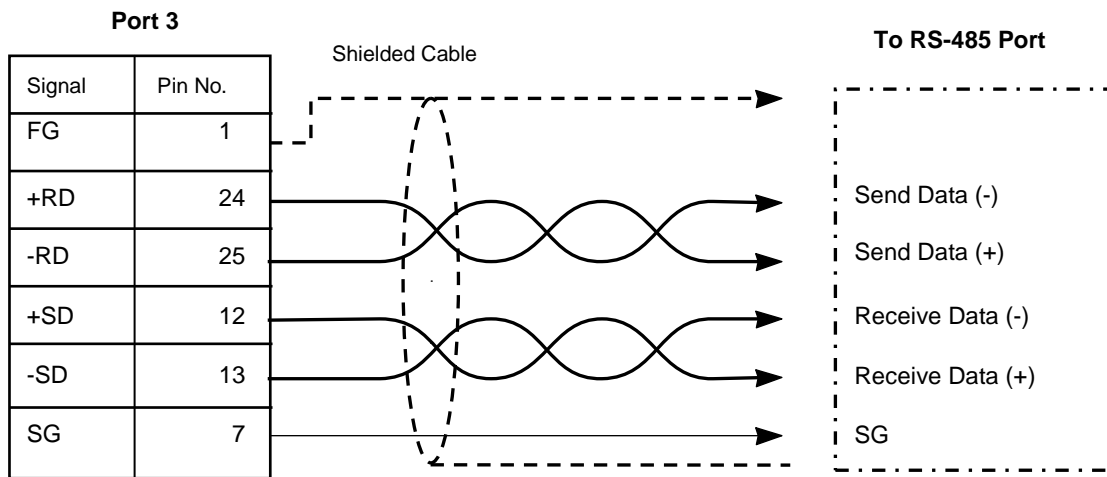
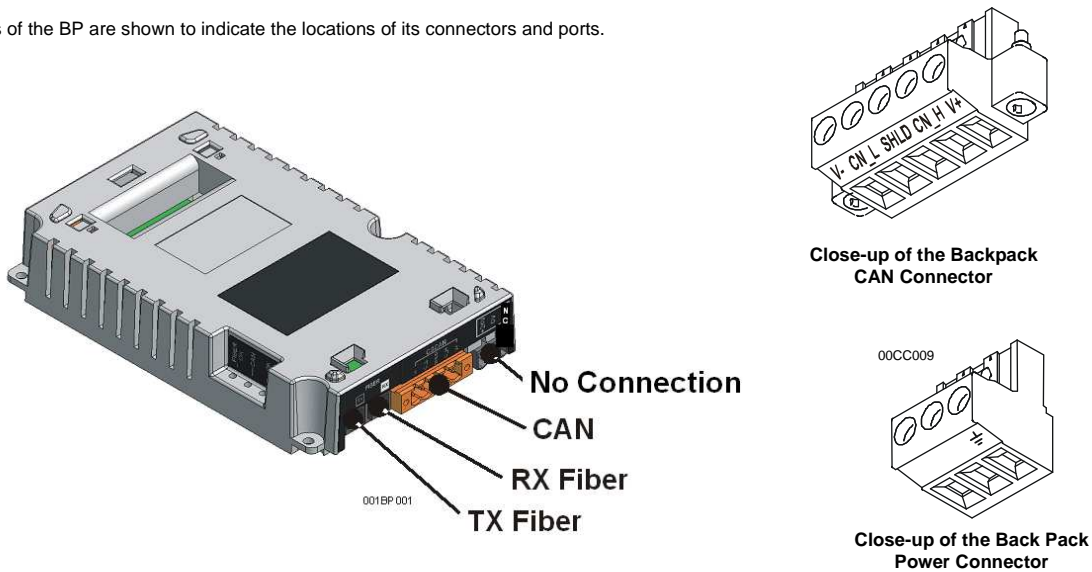
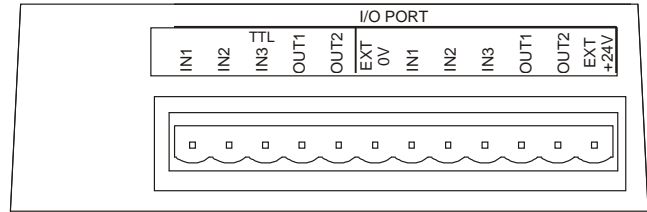
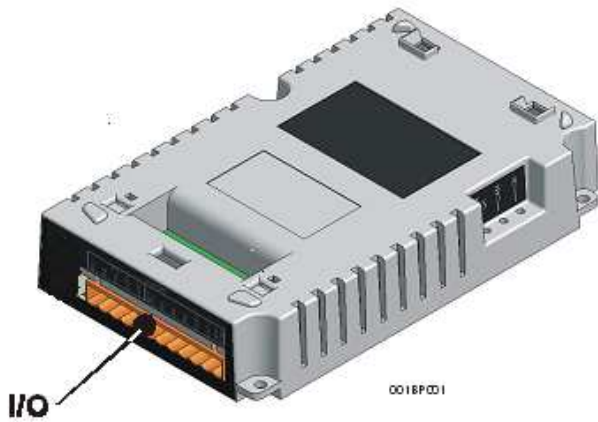


Figure 9 - Port 3 (CN1) RS-485 Port

3.4 Back Pack (BP) Connectors and Ports

Side views of the BP are shown to indicate the locations of its connectors and ports.





Close-up of the Back Pack I/O Connector

001BP003

Figure 10 – QX Back Pack Connectors and Ports (Side Views)

| Table 1 – I/O Port Pins (HSC) (Orange Connector) | | |
|---|----------|--|
| Pin | Signal | Description |
| 1 | TTL In1 | HSC 1 / 5 V Input 1 (See Note*) |
| 2 | TTL In2 | HSC 2 / 5 V Input 2 (See Note*) |
| 3 | TTL In3 | HSC 3 / 5 V Input 3 (See Note*) |
| 4 | TTL Out1 | HSC 1 / 5 V Output 1 (See Note*) |
| 5 | TTL Out2 | HSC 2 / 5 V Output 2 (See Note*) |
| 6 | 0 V | Ground (For best performance, use separate supply and isolated ground.) |
| 7 | In1 | HSC 1 / 24 V Input 1 (See Note*) |
| 8 | In2 | HSC 2 / 24 V Input 2 (See Note*) |
| 9 | In3 | HSC 3 / 24 V Input 3 (See Note*) |
| 10 | Out1 | HSC 1/ 24V Output 1 / PWM 1 |
| 11 | Out2 | HSC 2/ 24V Output 2 / PWM 2 |
| 12 | +24 V | Power for Outputs |
| <p>Note* - Depending on the output of the application, use 5 V (e.g., TTL In1) or 24 V (e.g., In1) per channel.</p> | | |

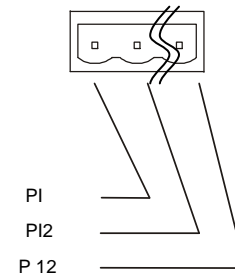


Figure 11 – QX Back Pack I/O Port

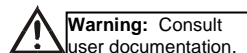
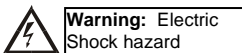
3.5 CAN Network Port and Wiring (QX Base and QX Back Pack)

See the latest edition of Horner's **CAN Networks Manual** (MAN0799) by referring to the website location listed in the **Technical Support** section in this document.

Note: To optimize CAN network reliability in electrically noisy environments, the V- CAN Ground needs to be isolated from the primary input power supply ground.

4 Safety

When found on the product, the following symbols specify:



This equipment is suitable for use in Class I, Division 2, Groups A, B, C and D or Non-hazardous locations only

WARNING – EXPLOSION HAZARD – Do not disconnect equipment unless power has been switched off or the area is known to be non-hazardous.
AVERTISSEMENT - RISQUE D'EXPLOSION - AVANT DE DECONNECTER L'EQUIPMENT, COUPER LE COURANT OU S'ASSURER QUE L'EMPLACEMENT EST DESIGNÉ NON DANGEREUX.

WARNING: To avoid the risk of electric shock or burns, always connect the safety (or earth) ground before making any other connections.

WARNING: To reduce the risk of fire, electrical shock, or physical injury it is strongly recommended to fuse the voltage measurement inputs. Be sure to locate fuses as close to the source as possible.

WARNING: Replace fuse with the same type and rating to provide protection against risk of fire and shock hazards.

WARNING: In the event of repeated failure, do not replace the fuse again as a repeated failure indicates a defective condition that will not clear by replacing the fuse.

WARNING – EXPLOSION HAZARD – Substitution of components may impair suitability for Class I, Division 2
AVERTISSEMENT - RISQUE D'EXPLOSION - LA SUBSTITUTION DE COMPOSANTS PEUT RENDRE CE MATERIAL INACCEPTABLE POUR LES EMPLACEMENTS DE CLASSE 1, DIVISION 2.

WARNING - The USB parts are for operational maintenance only. Do not leave permanently connected unless area is known to be non-hazardous.

WARNING – EXPLOSION HAZARD - BATTERIES MUST ONLY BE CHANGED IN AN AREA KNOWN TO BE NON-HAZARDOUS
AVERTISSEMENT - RISQUE D'EXPLOSION - AFIN D'EVITER TOUT RISQUE D'EXPLOSION, S'ASSURER QUE L'EMPLACEMENT EST DESIGNE NON DANGEREUX AVANT DE CHANGER LA BATTERIE

WARNING - Battery May Explode If Mistreated. Do Not Recharge, Disassemble or Dispose Of In Fire

WARNING: Only qualified electrical personnel familiar with the construction and operation of this equipment and the hazards involved should install, adjust, operate, or service this equipment. Read and understand this manual and other applicable manuals in their entirety before proceeding. Failure to observe this precaution could result in severe bodily injury or loss of life.

For detailed installation and a handy checklist that covers panel box layout requirements and minimum clearances, refer the hardware manual of the QX Series (MAN0798). (See the **Additional References** section in this document.)

- All applicable codes and standards need to be followed in the installation of this product.
- For I/O wiring (discrete), use the following wire type or equivalent: Belden 9918, 18 AWG or larger.

Adhere to the following safety precautions whenever any type of connection is made to the module.

- Connect the green safety (earth) ground first before making any other connections.
- When connecting to electric circuits or pulse-initiating equipment, open their related breakers. Do not make connections to live power lines.
- Make connections to the module first; then connect to the circuit to be monitored.
- Route power wires in a safe manner in accordance with good practice and local codes.
- Wear proper personal protective equipment including safety glasses and insulated gloves when making connections to power circuits.
- Ensure floor, hands and shoes are dry before making any connection to a power line.
- Make sure the unit is turned OFF before making connection to terminals. Make sure all circuits are de-energized before making connections.
- Before each use, inspect all cables for breaks or cracks in the insulation. Replace immediately if defective.

5 Additional References

6 Technical Support

The following information serves as a *general* listing of Horner controller products and other references of interest and their corresponding manuals numbers. Visit our website listed in the **Technical Support** section to obtain user documentation and updates.

Note: This list is not intended for users to determine which products are appropriate for their application; controller products differ in the features that they support. If assistance is required, see the **Technical Support** section in this document.

| Controller | Manual Number |
|---|---------------|
| XLe/XLt Manual Series (e.g., HE-XExxx) | MAN0878-03 |
| QX Series (e.g., HE-QXxxx) | MAN0798 |
| NX Series (e.g., HE-NXxxx) | MAN0781 |
| LX Series (e.g., LX-xxx; also covers RCS116) | MAN0755 |
| Color Touch OCS (e.g., OCSxxx) | MAN0465 |
| OCS (Operator Control Station) (e.g., OCS1xx / 2xx; Graphic OCS250) | MAN0227 |
| Remote Control Station (e.g., RCS2x0) | |
| XL6e | MAN0883 |
| QX351 | MAN0892 |
| MiniOCS (e.g., HE500OCSxxx, HE500RCSxxx) | MAN0305 |
| Other Useful References | |
| CAN Networks | MAN0799 |
| Cscape Programming and Reference | MAN0313 |
| Wiring Accessories and Spare Parts Manual | MAN0347 |

For assistance and manual updates, contact Technical Support at the following locations:

| | |
|---|---|
| North America: | Europe: |
| Tel: 317-916-4274 | Tel: +353-21-4321-266 |
| Fax: 317-639-4279 | Fax: +353-21-4321-826 |
| Web: http://www.heapg.com | Web: http://www.horner-apg.com |
| Email: techsppt@heapg.com | Email: techsupport@hornerirl.ie |

No part of this publication may be reproduced without the prior agreement and written permission of Horner APG, Inc. Information in this document is subject to change without notice.

Cscape, SmartStack, SmartStix and CsCAN are trademarks of Horner APG. CompactFlash is a registered trademark of SanDisk Corporation. Ethernet is a trademark of Xerox Corporation.