

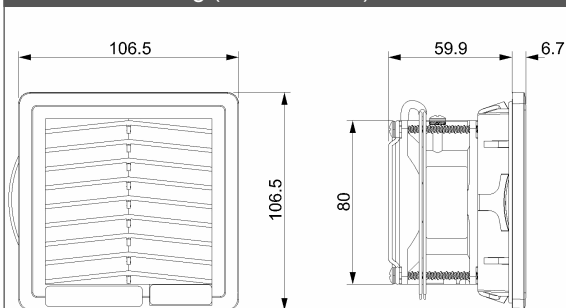
"FF08AN" SERIES FAN FILTERS

Description: Fan Filter 115/230 Va.c.

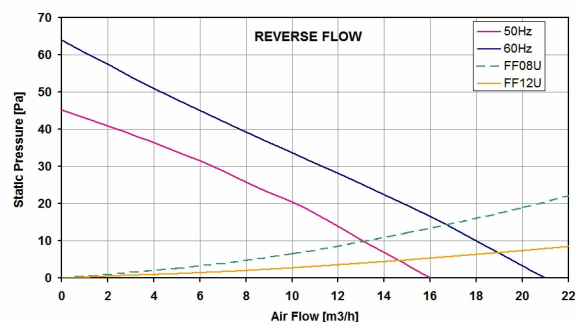
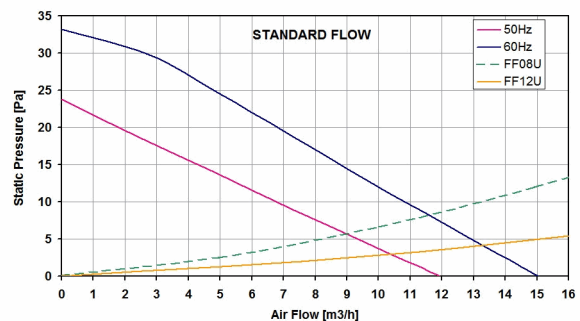
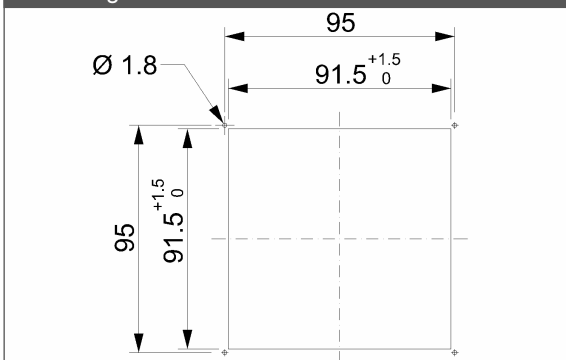


Type of material:	PC/ABS Alloy, PA 66 GF13 HSL for elastic clips
Standard color:	RAL 7035, other colors on request
Protection degree:	IP54, according to EN 60529 std Type 12, according to UL 508 std
Fixing system:	by elastic clips
Plate thickness:	from 1 mm to 2 mm
Storage temperature:	from -40°C to +70°C
Motor Lifetime L10 at 20°C (approx.):	50,000 h
Motor protection:	impedance
Earth connection:	by M4 screw on fan's casing
Electrical connection:	by 2 wires L-N, 22 AWG, color black
Appliance class:	class I
Type of filter media:	thermo-linked progressive structure synthetic fibre
Filtering class:	class G3, according to EN 779
Degree of separation:	85% - DIN 24185
Dust retention capacity:	600 g/m ²
Note:	filter media is washable about 10 times
Weight:	0.391 Kg
Approvals:	CE; UL E237844; CSA

technical drawing (standard flow)



mounting cut-out



Model	Voltage	Frequency	Rated Current	Rated Power	Max Air Flow**	Static Pressure	Fan Noise	Rated Temp. Range	Approvals
	(V)	(Hz)	(A)	(W)	(m ³ /h)	(Pa)	[db(A)]	(°C)	
FF08A115UN	115 V a.c.	50/60	0.113/0.092	9.0/7.0	12/15	23/33	33.0/38.0	-10 + +55	CE; cURus; cCSAus
FF08A115UNR	115 V a.c.	50/60	0.111/0.093	9.0/7.5	16/21	45/64	33.0/38.0	-10 + +55	CE; cURus; cCSAus
FF08A230UN	230 V a.c.	50/60	0.062/0.050	10/8.0	12/15	23/33	33.0/38.0	-10 + +55	CE; cURus; cCSAus
FF08A230UNR	230 V a.c.	50/60	0.063/0.052	10/8.0	16/21	45/64	33.0/38.0	-10 + +55	CE; cURus; cCSAus

data with uncertainty of 15%

All specifications, data and drawing are subject to change without notice. Please refer to our terms of sales including our warranty and limited liabilities clauses.