

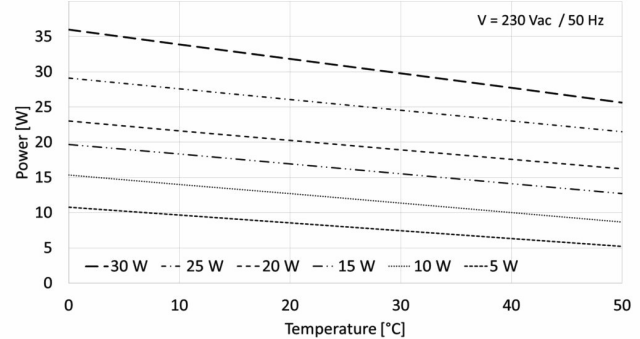
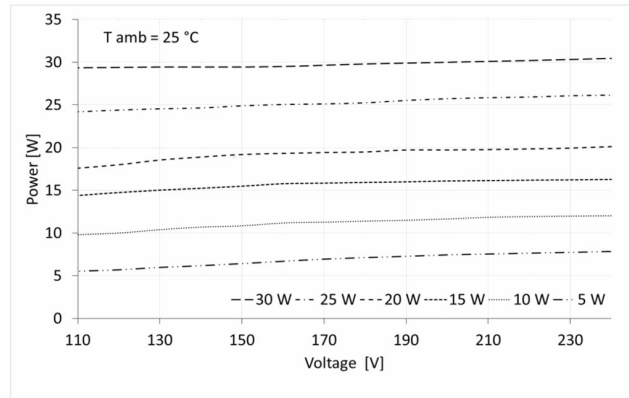
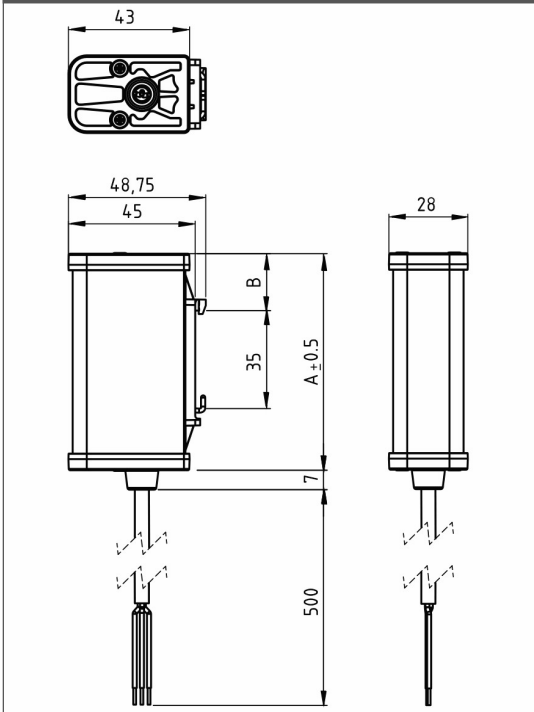
"HWM" HEATERS WITH CABLE

Description: **metal cover**



- Heating element:** PTC thermistor, self regulating
- Heat sink:** black anodised extruded aluminium profile
- Cover material:** black anodised aluminium
- Method of mounting:** snap-on fixing on RAIL 35mm EN 50022
- Rated temperature range:** from -30°C to +50°C
- Storage temp. range:** from -40°C to +70°C
- Protection degree by heaters:** IP20
- Electrical connection:** by 3 poles cable L-N-PE
- External cable:** 3 x 20 AWG cable 500 mm lenght with FEP insulation and external silicone rubber jacket class I
- Appliance class:** class I
- Rated frequency:** 50/60 Hz
- Max voltage:** 265 V a.c./d.c.
- Applicable standards:** EN 60335-1, UL508, CSA C22.2 No.14-13
- Approvals:** CE; cURus

technical drawing



Model	Dimension		Heating Power [W]	I max* [A]	Rated voltage [V]	Weight [Kg]	Approvals
	A [mm]	B [mm]					
HWM005	78	20.5	5	1.1	110-240 V a.c./d.c.	0.110	CE; cURus;
HWM010	78	20.5	10	1.2	110-240 V a.c./d.c.	0.110	CE; cURus;
HWM015	78	20.5	15	2.2	110-240 V a.c./d.c.	0.110	CE; cURus;
HWM020	78	20.5	20	2.0	110-240 V a.c./d.c.	0.110	CE; cURus;
HWM025	108	35.5	25	1.2	110-240 V a.c./d.c.	0.150	CE; cURus;
HWM030	108	35.5	30	1.1	110-120 V a.c./d.c.	0.150	CE; cURus;

* Maximum transient current within 2 seconds after power on, at worst case (-30°C ambient condition). These values have an uncertainty of 10%.

All specifications, data and drawing are subject to change without notice and are approximate. Please refer to our terms of sales including our warranty and limited liabilities clause.