

MPC/S, MPG/S accessories

PFT, Plinth



Description: Allows cabling without restrictions and in accordance with the VDE 0113 standard.

Material: Corners 2 mm steel plate, side panels 1.5 mm steel plate.

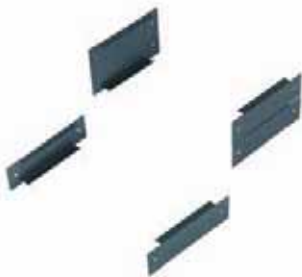
Finish: Structure powder paint RAL 7022.

Pack. quantity: 4 cornerpieces with front panels and mounting material.

H	W	Part No.
100	400	PFT1040
	600	PFT1060
	700	PFT1070
	800	PFT1080
	1000	PFT1100
	1200	PFT1120
200	1400	PFT1140
	400	PFT2040
	600	PFT2060
	800	PFT2080
	1000	PFT2100
	1200	PFT2120
	1400	PFT2140

Add side panels PST for complete plinth.

PST, Plinth Side panels



Description: Mounted directly to the cornerpieces.

Material: 1.5 mm steel plate.

Pack. quantity: 2 sidepanels, mounting material included in PFT package.

Finish: Powderpaint RAL 7022.

H	D	Part No.
100	400	PST1040
	500	PST1050
	600	PST1060
	800	PST1080
200	400	PST2040
	500	PST2050
	600	PST2060
	800	PST2080

MSNS, Plinths



Description: Allowing cabling without any restrictions and in accordance with the VDE 0113 standard. The plinth consists of four corner pieces with removable plates. Available 100 mm and 200 mm high with removable side plates.

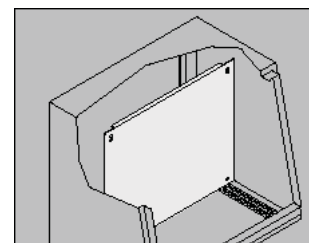
Material: Corners 3 mm, and panels 1.5 mm 304 S15 pre-grained stainless steel.

Surface characteristics: 240s (0.5 micron), (Other grades available upon request).

Delivery: 1 plinth with mounting material.

H	W	D	Part No.	
100	600	400	MSNS1064	
		500	MSNS1065	
	800	600	MSNS1066	
		400	MSNS1084	
		500	MSNS1085	
		600	MSNS1086	
200	600	400	MSNS1104	
		500	MSNS1105	
	1200	600	MSNS1106	
		400	MSNS1124	
		500	MSNS1125	
		600	MSNS1126	
200	600	400	MSNS2064	
		500	MSNS2065	
		600	MSNS2066	
		800	MSNS2084	
		500	MSNS2085	
		600	MSNS2086	
	1000	400	MSNS2104	
		500	MSNS2105	
		600	MSNS2106	
		1200	400	MSNS2124
			500	MSNS2125
			600	MSNS2126

CDPZ, Mounting plates



Description: Can be used in top section and desk unit, also as a separation plate between desk and base.

Material: 3mm galvanised steel.

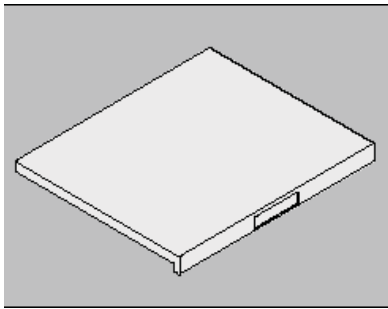
Pack. quantity: 1 plate with mounting accessories.

Encl.dimension				Part No.
W	h	w		
600	427,5	530		CDPZ06
800	427,5	730		CDPZ08
1000	427,5	930		CDPZ10
1200	427,5	1130		CDPZ12
1600	427,5	1530		CDPZ16



MPC/S, MPG/S accessories

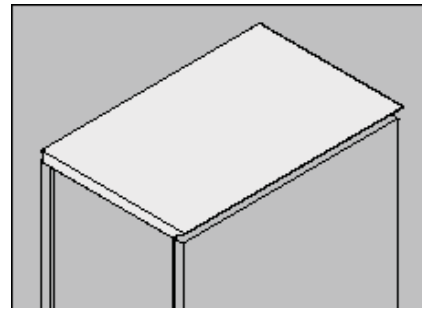
MPLS, Stainless lid



Description: For replacing standard lid on MPC(S) desk unit or MPG(S) where hard wearing or corrosion resistance is required.
Material: 2 mm stainless steel.

W	P	Part No.
600	500	MPLS062
800	500	MPLS082
1000	500	MPLS102
1200	500	MPLS122
1600	500	MPLS162

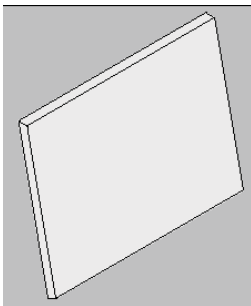
BDP, Cover plates



Description: Used to cover top opening of base or desk unit.
Material: 2 mm steel plate.
Finish: Structure powder paint, RAL 7035.
Pack. quantity: 1 piece with mounting material.

W	Part No.
600	BDP06R5
800	BDP08R5
1000	BDP10R5
1200	BDP12R5
1600	BDP16R5

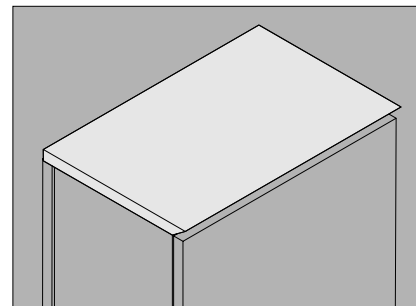
MPPS, Stainless panel



Description: For replacing standard panel on MPC(S) top section unit where hard wearing or corrosion resistance is required.
Material: 2 mm stainless steel.

H	W	Part No.
500	600	MPPS061
	800	MPPS081
	1000	MPPS101
	1200	MPPS121
	1600	MPPS161

BDPS, Cover plates

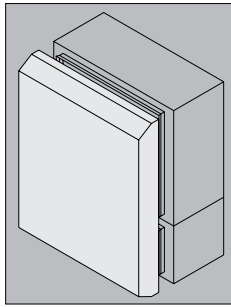


Material: 2 mm stainless steel.

W	Part No.
600	BDPS06
800	BDPS08
1000	BDPS10
1200	BDPS12
1600	BDPS16

MPC/S, MPG/S accessories

EXS, Extension panels

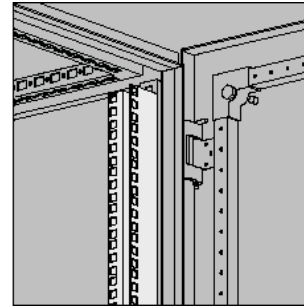


Description: To add extra depth to top section and/or desk unit.
Depth 100 mm Height 750 mm.

Material: 2 mm stainless steel.

W	Part No.
600	EXS0601
800	EXS0801
1000	EXS1001
1200	EXS1201
1600	EXS1601

DNN, Mounting angles (19")



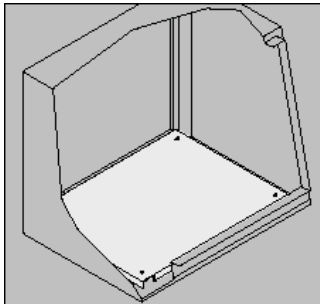
Description: To achieve 19", or partial 19" in 800 mm, wide enclosures, these profiles can be mounted with the mounting brackets DNB or DNC. To achieve 19" in 600 mm, wide enclosures, use the brackets DND.

Material: 2 mm zinc plated steel.

Pack. quantity: 2 pieces

N° of units	Part No.
13	DNN13

SGPZ, Segregation plates



Description: Used to separate top section and desk unit. Can also be used as a mounting plate in desk.

Material: 3 mm zinc plated steel.

Pack. quantity: 1 plate with mounting material.

W	Part No.
600	SGPZ06
800	SGPZ08
1000	SGPZ10
1200	SGPZ12
1600	SGPZ16

MPGDA, Depth adjust kit

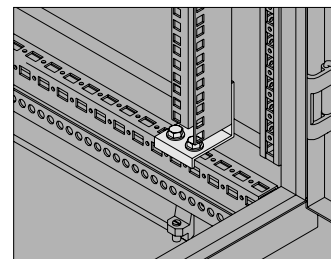
Description: To provide depth adjustment for mounting plate.

Material: 2mm galvanised steel.

Pack. quantity: 1 set with mounting accessories.

Part No.
MPGDA01

DND, Mounting angles (19") fixing brackets



Description: For fixing 482.6 mm, mounting brackets (19") in 600 mm, wide enclosures. Adjustable in depth in 12.5 mm, steps.

Material: 3 mm zinc plated steel plate.

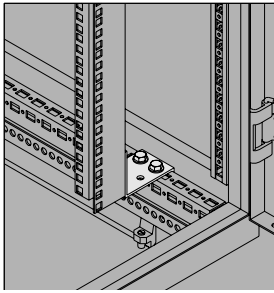
Pack. quantity: 4 brackets with mounting material.

Part No.
DND01



MPC/S, MPG/S accessories

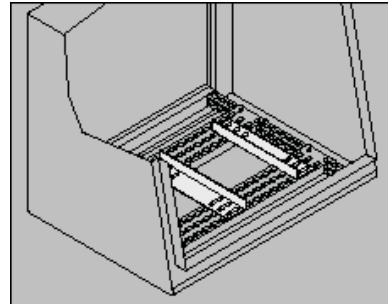
DNB, Mounting angles (19") brackets



Description: For mounting 19" profiles in 800mm enclosures
Material: 3 mm zinc plated steel.
Pack. quantity: 4 brackets with mounting material.

Part No.
DNB01

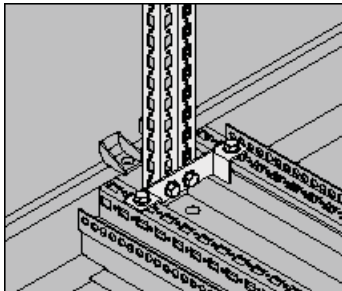
MS, Monitor holder



Description: In combination with TS supports, to clamp monitor in position.
Material: 2 mm zinc plated steel.
Pack. quantity: 2 profiles with mounting material.

Part No.
MS01

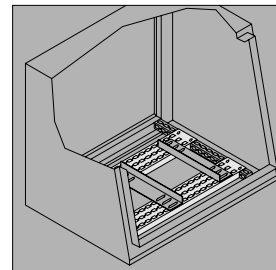
MTD, Vertical dividing bar



Description: Profile with hole pattern to create a division in double door consoles for mounting equipment in half the width.
Material: 2 mm zinc plated steel.
Pack. quantity: 1 pair

Part No.
MTD700

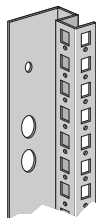
TS, Monitor transversal support



Description: To enable mounting of a monitor in the console top unit.
Material: 2 mm zinc plated steel.
Pack. quantity: 2 profiles with mounting material.

W	Part No.
600	TS06
800	TS08
1000	TS10
1200	TS12
1600	TS16

KMB/MPC, Vertical mounting profiles



Description: For console system and consoles . Vertical mounting profiles with 25 mm, hole pattern. When fitted into the frame all the relevant accessories can be used
Material: 2 mm zinc plated steel.
Pack. quantity: 2 profiles including fixing material.

H	Part No.
700	KMB700