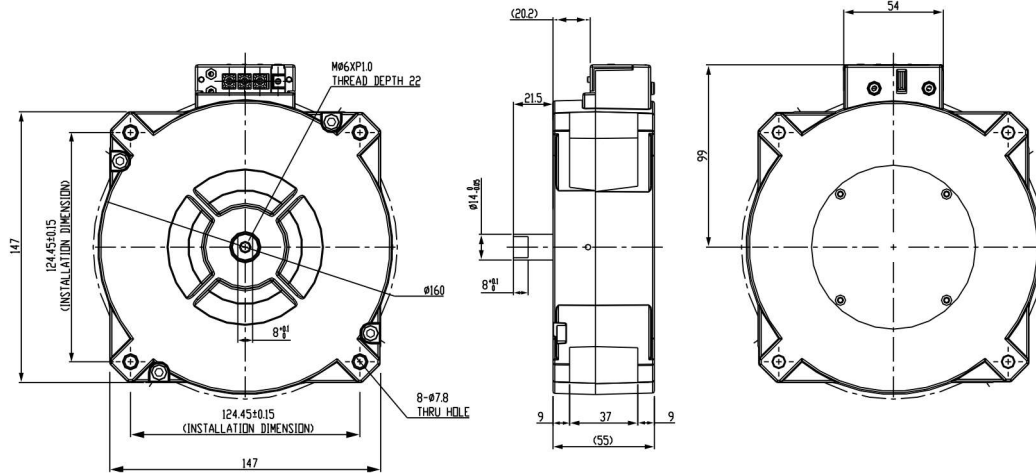
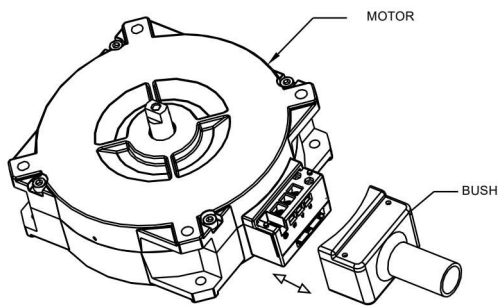


• **ECMD - B91608MS / ECMD - B81610MS**

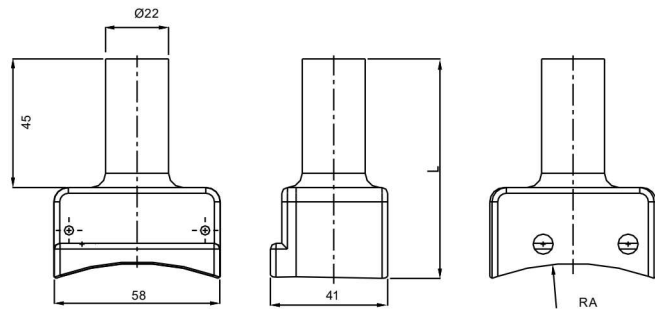


ECMD Motor Dust Cap

• **ECMD Motor Dust Cap Installation**



• **ECMD Motor Dust Cap Specification**



Model Name	L(mm)	RA(mm)	Motor
DPB - N7860	77.4	60	ECMD - B91207M_
DPB - N7779	76.8	79	ECMD - B81610M_ ECMD - B91608M_

Ordering Information

VFD - DDSeries	Description
VFD001DD11S	115 V _{AC} - 1 Phase 100 W AC motor drive, supports IM & PM motors, built-in EMI filter
VFD002DD21S	230 V _{AC} - 1 Phase 200 W AC motor drive, supports IM & PM motors, built-in EMI filter
VFD004DD21S	230 V _{AC} - 1 Phase 400 W AC motor drive, supports IM & PM motors, built-in EMI filter
VFD002DD21V	230 V _{AC} - 1 Phase 200 W AC motor drive, supports IM & PM motors
VFD004DD21V	230 V _{AC} - 1 Phase 400 W AC motor drive, supports IM & PM motors
VFD002DD21T	230 V _{AC} - 1 Phase 200 W AC motor drive, supports IM & PM motors, built-in EMI filter/CAN*
VFD004DD21T	230 V _{AC} - 1 Phase 400 W AC motor drive, supports IM & PM motors, built-in EMI filter/CAN*
VFD002DD21F	230 V _{AC} - 1 Phase 200 W motor drive, Supports IM & PM motors, built-in EMI Filter, slim type

*CANopen protocol is provided upon request, please contact Industrial Automation Business Group

VFD - DDSeries	Description
ECMD - B91207MN	Servo motor enclosure size 120 mm, rated power 70 W, torque 2.0 N-m, speed 350 rpm (different bearing key)
ECMD - B91207MS	Servo motor enclosure size 120 mm, rated power 70 W, torque 2.0 N-m, speed 350 rpm
ECMD - B91608MS	Servo motor enclosure size 160 mm, rated power 80 W, torque 3.0 N-m, speed 250 rpm
ECMD - B81610MS	Servo motor enclosure size 160 mm, rated power 100 W, torque 3.5 N-m, speed 280 rpm

*Without power cable and encoder cable

VFD - DDSeries	Description
MEC - SG0426S	385 mm ECMD motor encoder cable, without D-SUB connector
MEC - SG1026S	1,000 mm ECMD motor encoder cable, without D-SUB connector
MEC - SG2026S	2,000 mm ECMD motor encoder cable, without D-SUB connector
MEC - SG3026S	3,000 mm ECMD motor encoder cable, without D-SUB connector
MEC - PG0418S	370 mm ECMD motor power cable
MEC - PG1018S	1,000 mm ECMD motor power cable
MEC - PG2018S	2,000 mm ECMD motor power cable
MEC - PG3018S	3,000 mm ECMD motor power cable
DPB - N7860	ECMD - B91207MS dust cap
DPB - N7779	ECMD - B91608M_ / ECMD - B81610M_dust cap